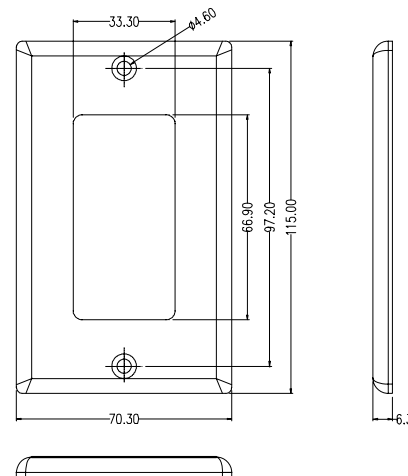
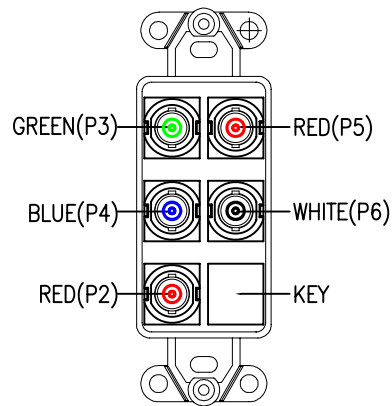
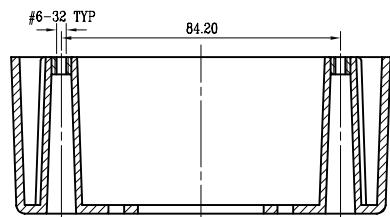
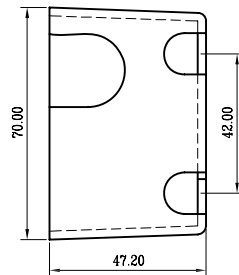
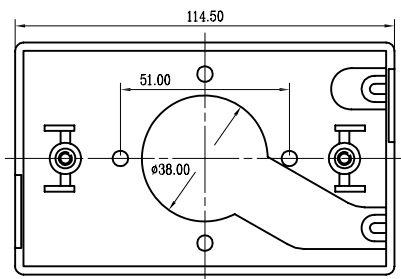


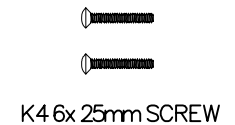
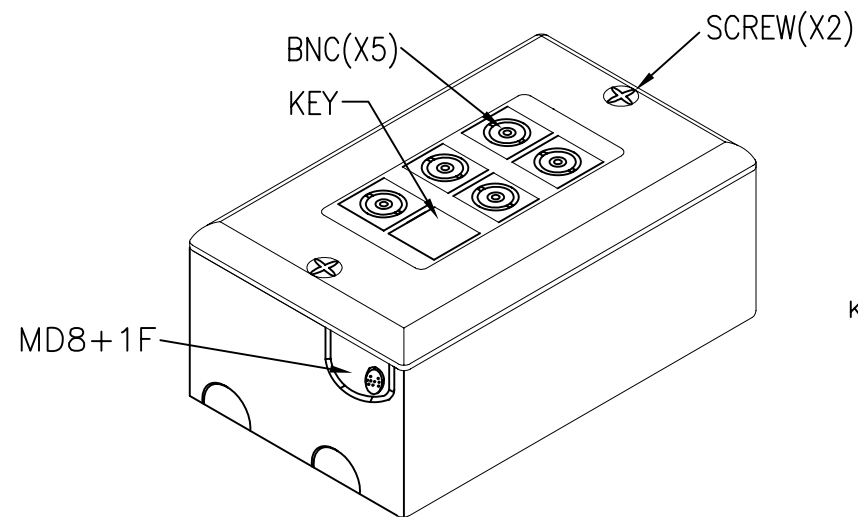
07X-106-XX



07X-F-1-XX



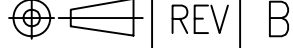
071-BOX-WH

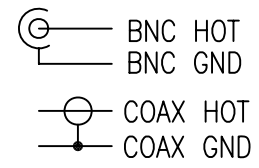
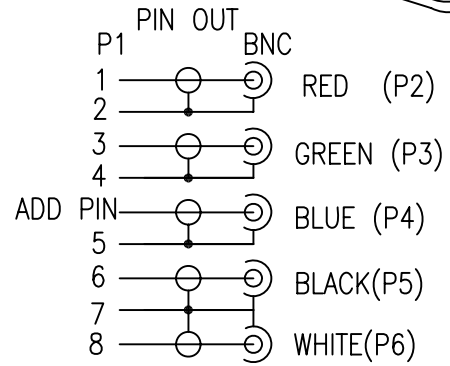
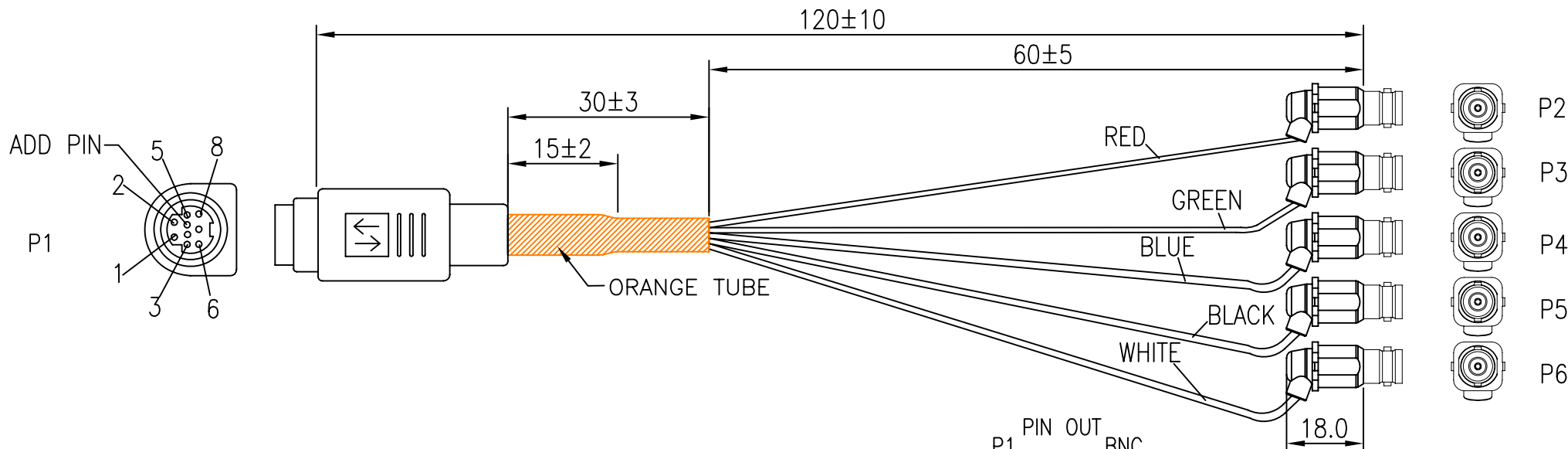


ASSEMBLY DRAWING

NOTE:

- 1.materials:ABS,UL 94V-0 WHITE TEMPERATURE:-40~68°C,Humidity:10%~90%RH
- 2.Packing:1set mount box with all accessory partspacking in a polybag(marking"UL") measurable quantity polybags in a large polybag a large polybag in an outer carton

NET MECHANISM Corp www.cabling-ol.net				
SCALE	NONE		REV	B
UNIT	MM		DWG NO.	
SHEET	2/2	DATE		
DATE	02/25/10	TITLE		
TITLE		MD8+1F TO 5BNC/F		
PART NO.		SBXC-5BNC/F-120		



NOTES:

1. CABLE:UL20276 UL1354(30AWG+S)\*5COAX(OFC)+PAPER JACKET PVC BLACK, OD:7.0±0.15mm.
2. CONN.: P1: MINI DIN 8+1PIN FEMALE, SOLDER TYPE, GOLD FLASH CONTACTS, BLACK INSULATION, NICKEL PLATED SHELL.  
P2, P3, P4, P5: BNC FEMALE WHITE INSULATION,COPPER COVER, 75 ohm.
3. ALL HOOD: MD8+1P: MOLDED 45P BLACK PVC;BNC FEMALE: MOLDED 25P WHITE(WH05) PVC.
4. TESTING: 100% ELECTRICAL TEST.
5. PACKING:EACH CABLE IN A POLY-BAG.
6. MOLD NO.: MD6F-N01, MD6F-01; BNC-N05,BNC-05.

NET MECHANISM Corp www.cabling-ol.net				
SCALE	NONE		REV	B
UNIT	MM			
SHEET	1/2	DWG NO.		
DATE	02/25/10			
TITLE MD8+1F TO 5BNC/F				
PART NO. SBXC-5BNCF-120				