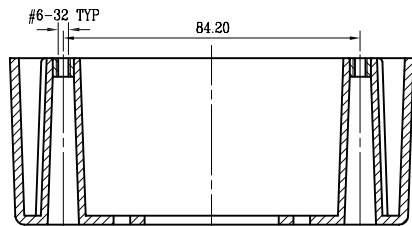


K4 6x 25mm SCREW

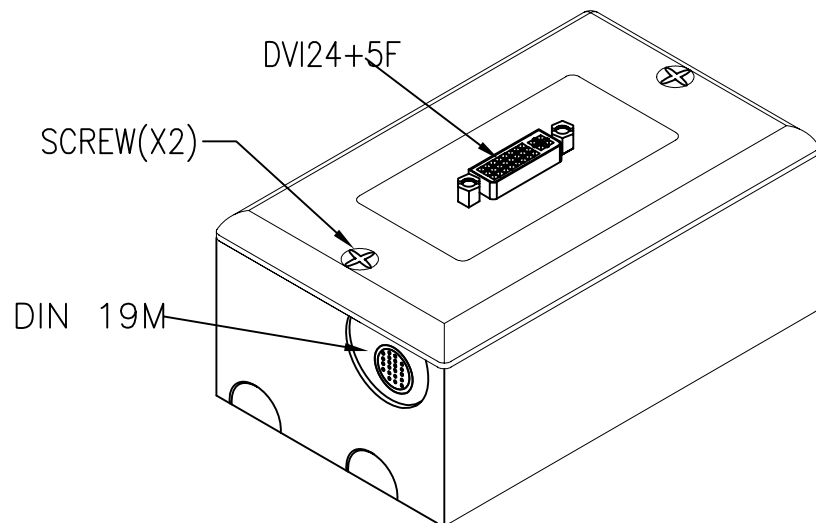


071-BOX-WH

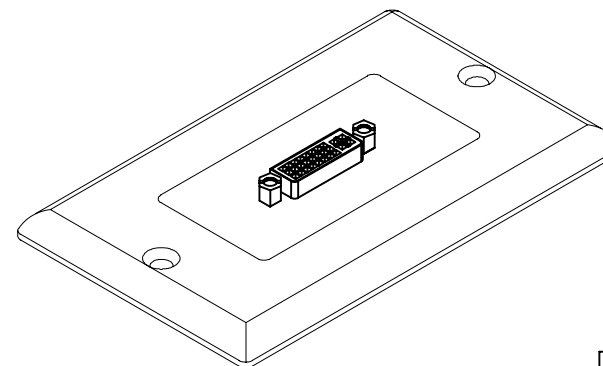
07X-F-1-XX

WIRE CONNECTION

P1	P2	COLOR
1	2	WHITE
3	1	BROWN
2	3	DRAIN
4	10	WHITE
6	9	RED
5	11	DRAIN
7	18	WHITE
9	17	GREEN
8	19	DRAIN
10	23	WHITE
12	24	BLUE
11	22	DRAIN
15	6	RED
16	7	WHITE
17	15	YELLOW
18	14	ORANGE
19	16	PURPLE
SHELL	SHELL	BRAID



ASSEMBLY DRAWING



NOTE:

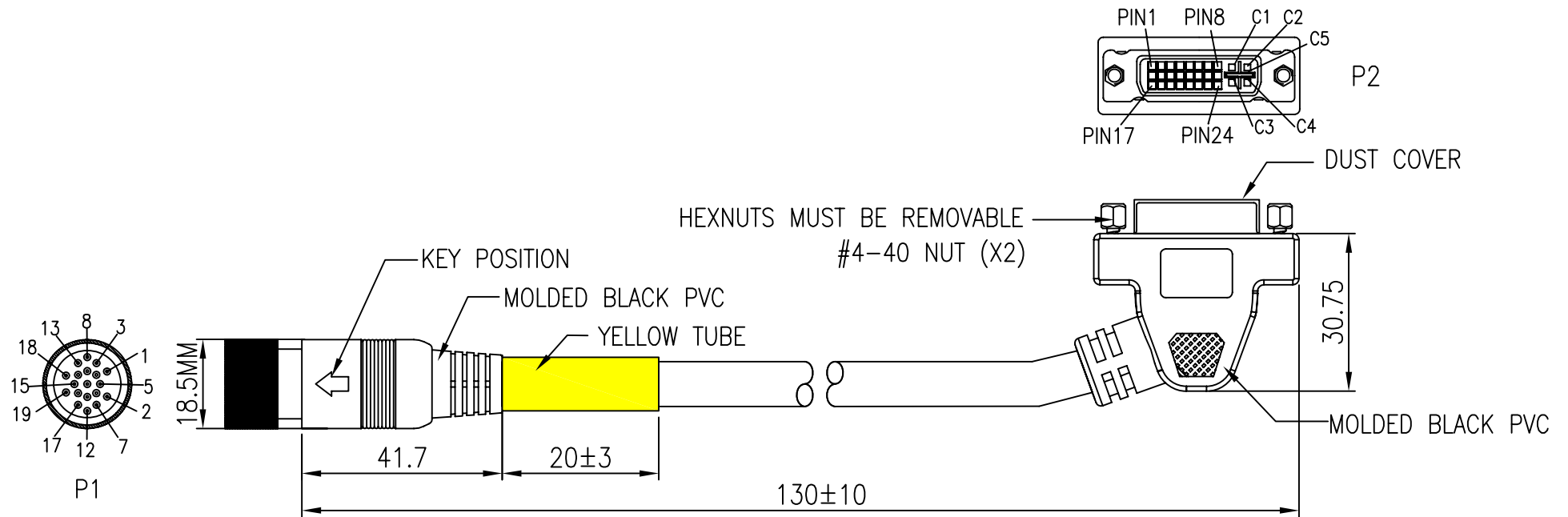
- 1.materials:ABS,UL 94V-0 WHITE TEMPERATURE:-40~68°C,Humidity:10%~90%RH
- 2.Packing:1set mount box with all accessory partspacking in a polybag(marking"UL") measurable quantity polybags in a large polybag a large polybag in an outer carton

NET MECHANISM Corp
www.cabling-ol.net

SCALE	NONE		REV	A
UNIT	MM			
SHEET	1/2	DWG NO.		
DATE	02/26/10			

TITLE
DIN19M TO DVI24+5F+BOX

PART NO.
SBXC-DVID-130



NOTE:

1. CABLE: UL20276 HDMI 1.3 CABLE, (28#*1P+D+MYLAR+AL)*4C+28#*1P+28#*5C +AB JACKET: BLACK OD:6.5MM.
2. CONNECTOR: P1: DIN 19P MALE, SOLDER TYPE, TINNED PLATED CONTACTS, INSULATION: BLACK, NICKEL PLATED SHELL, LOCKER TYPE.
P2: DVI 24+5 FEMALE, PIN: G/F, INSULATION WHITE, NICKEL PLATED SHELL WITH METAL HEX NUT.
3. SHIELDED: COPPER FOIL TAPE COVER PREMOLD AND 360° SOLDER TO CONNECTOR SHELL AND CABLE BRAID.
4. MOLDED 45P BLACK PVC.
5. TESTING: 100% ELECTRICAL TEST .
6. MOLD P/N: D14M-N01, D14M-02, DVIF-110-01, DVIF-110-N01

NET MECHANISM Corp www.cabling-ol.net				
SCALE	NONE		REV	A
UNIT	MM			
SHEET	2/2	DWG NO.		
DATE	02/26/10			
TITLE		DIN19M TO DVI24+5F+BOX		
PART NO.		SBXC-DVID-130		