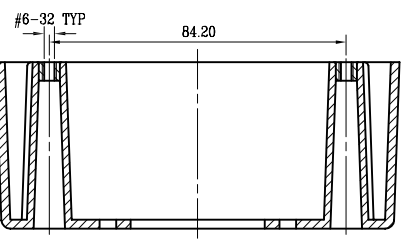


K4 6x 25mm SCREW

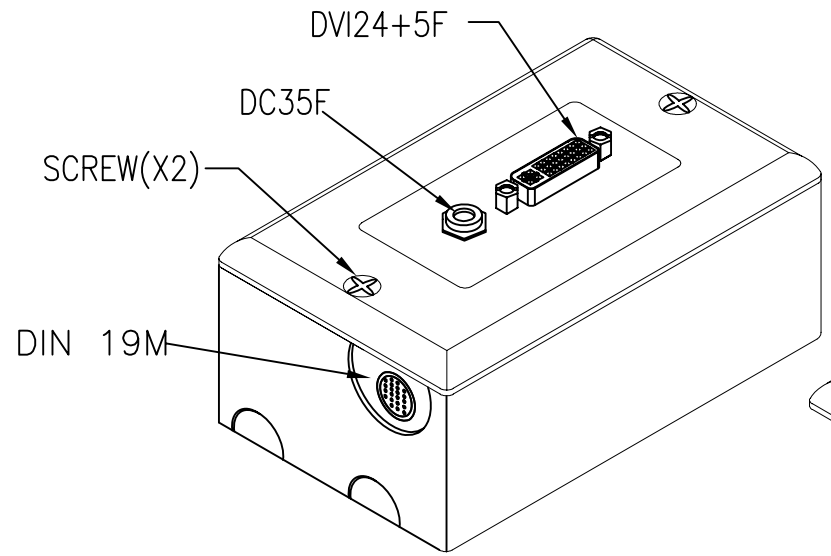


071-BOX-WH

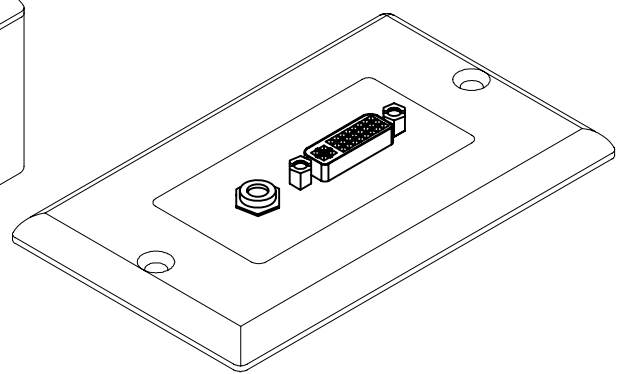
07X-F-1-XX

WIRE CONNECTION

P1	P2	COLOR
1	2	WHITE
3	1	BROWN
2	3	DRAIN
4	10	WHITE
6	9	RED
5	11	DRAIN
7	18	WHITE
9	17	GREEN
8	19	DRAIN
10	23	WHITE
12	24	BLUE
11	22	DRAIN
15	6	RED
16	7	WHITE
17	15	YELLOW
18	14	ORANGE
19	16	PURPLE
COLOR	P3	
RED	1	13
WHITE	2	14
SPIRAL SHELL		SHELL
		SHELL
		BRAD



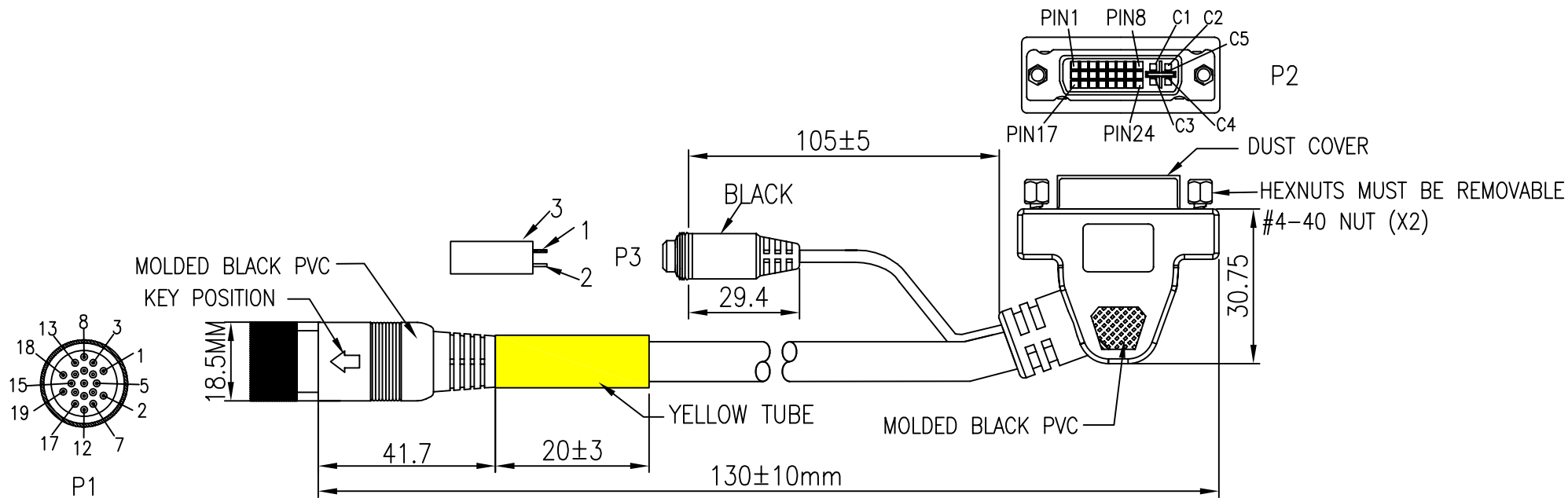
ASSEMBLY DRAWING



NOTE:  
 1.materials:ABS,UL 94V-0 WHITE TEMPERATURE:-40~68°C,Humidity:10%~90%RH  
 2.Packing:1set mount box with all accessory partspacking in a polybag(marking"UL")  
 measurable quantity polybags in a large polybag a large polybag in an outer carton

B	CHANGE ASSEMBLY DRAWING ORIENTATION	04/06/10
A	INITIAL RELEASE	02/25/10
REV	DESCRIPTION OF CHANGE	DATE

NET MECHANISM Corp www.cabling-ol.net				
SCALE	NONE		REV	B
UNIT	MM			
SHEET	1/2	DWG NO.		
DATE	04/06/10			
TITLE DIN19M TO DVI24+5F+BOX				
PART NO. SBXC-DVID-130				



NOTE:

1. CABLE: UL20276 HDMI 1.3 CABLE, (28#\*1P+D+MYLAR+AL)\*4C+28#\*1P+28#\*5C +AB JACKET: BLACK OD:6.5MM.  
CABLE2:NON UL, 26AWG\*2C+SPIRAL SHIELD,BLACK PVC JACK,OD3.0±0.15mm.
2. CONNECTOR: P1: DIN 19P MALE, SOLDER TYPE, TINNED PLATED CONTACTS, INSULATION: BLACK, NICKEL PLATED SHELL, LOCKER TYPE.  
P2: DVI 24+5 FEMALE, PIN: G/F, INSULATION WHITE, NICKEL PLATED SHELL. WITH METAL HEX NUT.  
P3: DC3.5mm STEREO JACK, NICKEL PLATED SHELL, WITH NUT.
3. HEX NUT.
4. SHIELDED: COPPER FOIL TAPE COVER PREMOLD AND 100% CONTACT TO CONNECTOR SHELL.  
P1: COPPER FOIL TAPE 360° SOLDER; P2: COPPER FOIL TAPE SOLDER TO BRAID.
5. MOLDING BLACK 45 PVC.
6. TEST: 100% ELECTRICAL TEST.
7. MOLD NO.:D14M-N01,D14M-02.DVIF-110-01,DVIF-110-N01,RCA-03,RCA-N03.

NET MECHANISM Corp www.cabling-ol.net				
SCALE	NONE		REV	B
UNIT	MM			
SHEET	2/2	DWG NO.		
DATE	04/06/10			
TITLE		DIN19M TO DVI24+5F+BOX		
PART NO.		SBXC-DVID-130		

B	CHANGE ASSEMBLY DRAWING ORIENTATION	04/06/10
A	INITIAL RELEASE	02/25/10
REV	DESCRIPTION OF CHANGE	DATE