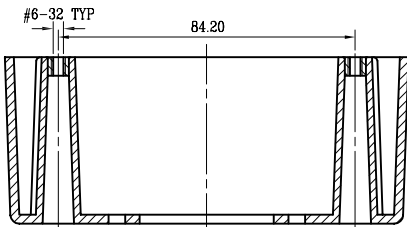
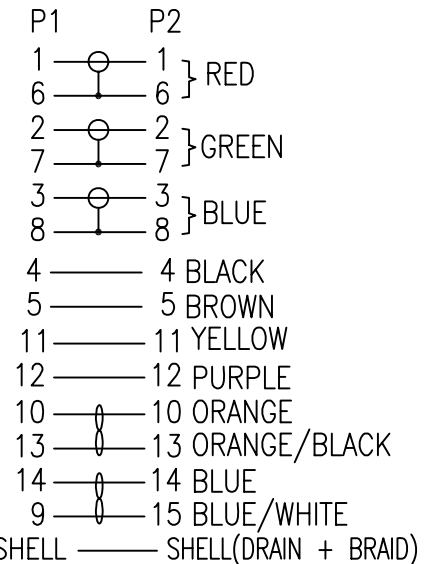


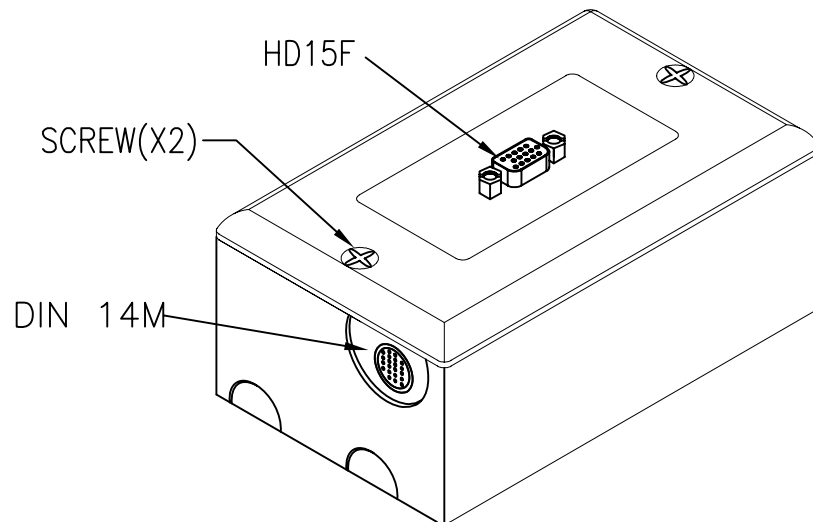
K4 6x 25mm SCREW

PIN OUT

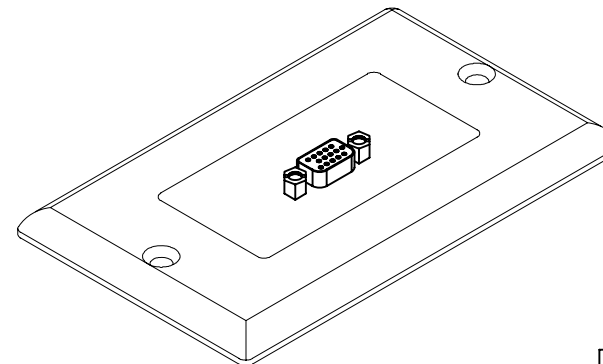


071-BOX-WH

07X-F-1-XX



ASSEMBLY DRAWING



NOTE:

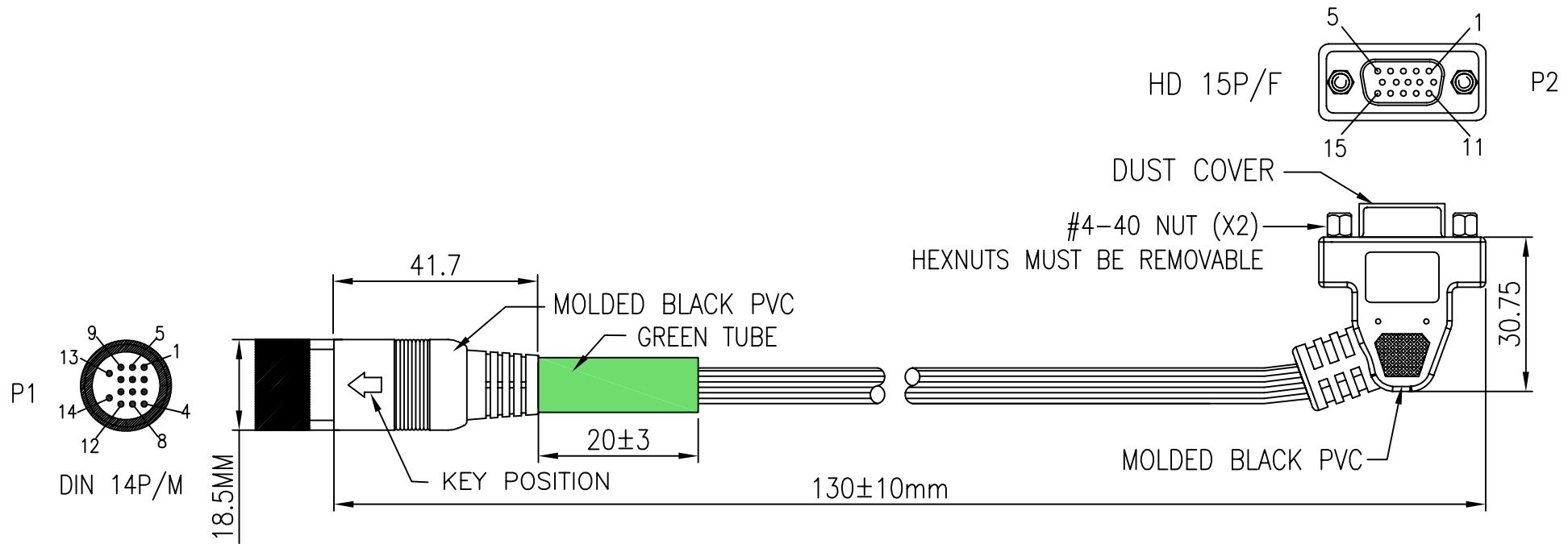
- 1.materials:ABS,UL 94V-0 WHITE TEMPERATURE:-40~68°C,Humidity:10%~90%RH
- 2.Packing:1set mount box with all accessory partspacking in a polybag(marking"UL") measurable quantity polybags in a large polybag a large polybag in an outer carton

NET MECHANISM Corp  
www.cabling-ol.net

SCALE	NONE		REV	A
UNIT	MM			
SHEET	1/2	DWG NO.		
DATE	02/26/10			

TITLE  
DIN 14/M TO HD15/F+BOX

PART NO.  
SBXC-HD15-130



NOTE:

1. CABLE: [(28AWG X 3COAX, EACH COAX SPIRAL SHIELDED,  $75\Omega$ , UL1354) + (24AWG X 4C) + (24AWG X 2PAIRS)], AL-FOIL AND BRAID SHIELDED WITH DRAIN WIRE, UL2919, BLACK PVC JACKET, SLOT  $\phi 8.5\pm 0.15\text{mm}$ .
2. CONNECTOR:  
 P1: DIN 14P MALE, NICKEL PLATED CONTACTS AND SHELL, LOCKER TYPE.  
 P2: HIGH DENSITY D-SUB 15PIN FEMALE: SOLDER TYPE, GOLD FLASH CONTACTS, NICKEL PLATED SHELL.
3. METAL HEX NUT.
4. SHIELDED: COPPER FOIL TAPE COVER PREMOLD AND 360° SOLDER TO CONNECTOR SHELL AND CABLE BRAID.
5. MOLDED 45P BLACK PVC.
6. TESTING: 100% ELECTRICAL TEST.
7. MOLD NO.:D14M-N01, D14M-02, HD15F-110-01, HD15F-110-N01.

NET MECHANISM Corp www.cabling-ol.net				
SCALE	NONE		REV	A
UNIT	MM			
SHEET	2/2	DWG NO.		
DATE	02/26/10			
TITLE DIN 14/M TO HD15/F+BOX				
PART NO. SBXC-HD15-130				