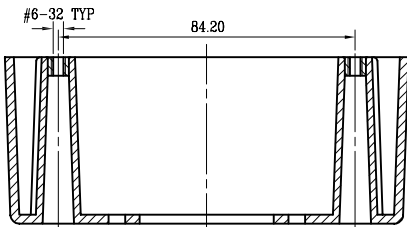
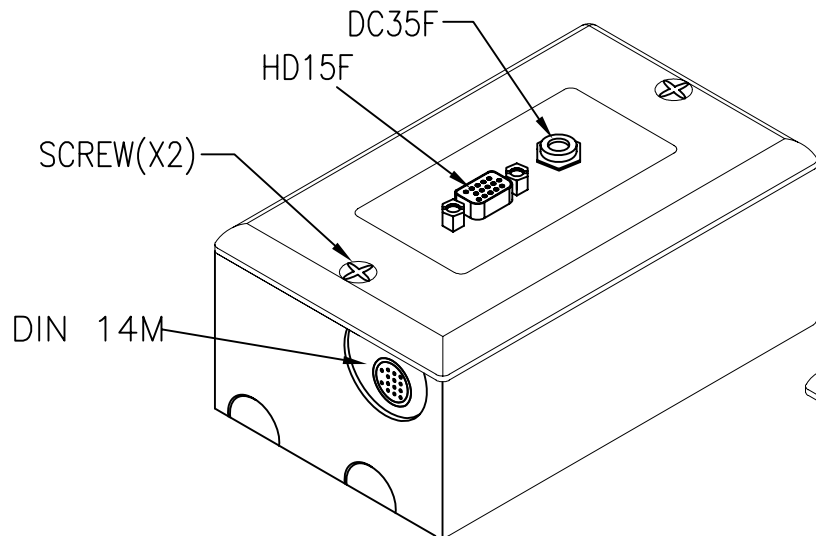


K4 6x 25mm SCREW



071-BOX-WH

07X-F-1-XX



ASSEMBLY DRAWING

PIN OUT

D14	HD15	Color
1	1	RED COAX
6	6	RED SPIRAL
2	2	GREEN COAX
7	7	GREEN SPIRAL
3	3	BLUE COAX
8	8	BLUE SPIRAL
4	4	BLACK
5	5	YELLOW
11	11	PURPLE
12	12	ORANGE/BLACK
13	13	BLUE
14	14	BLUE/WHITE
9	15	SHELL(DRAIN+BRAID)
3.5ST		
RED 1	BROWN	
WHITE 2	ORANGE	
SPIRAL 3	SHELL	

NOTE:

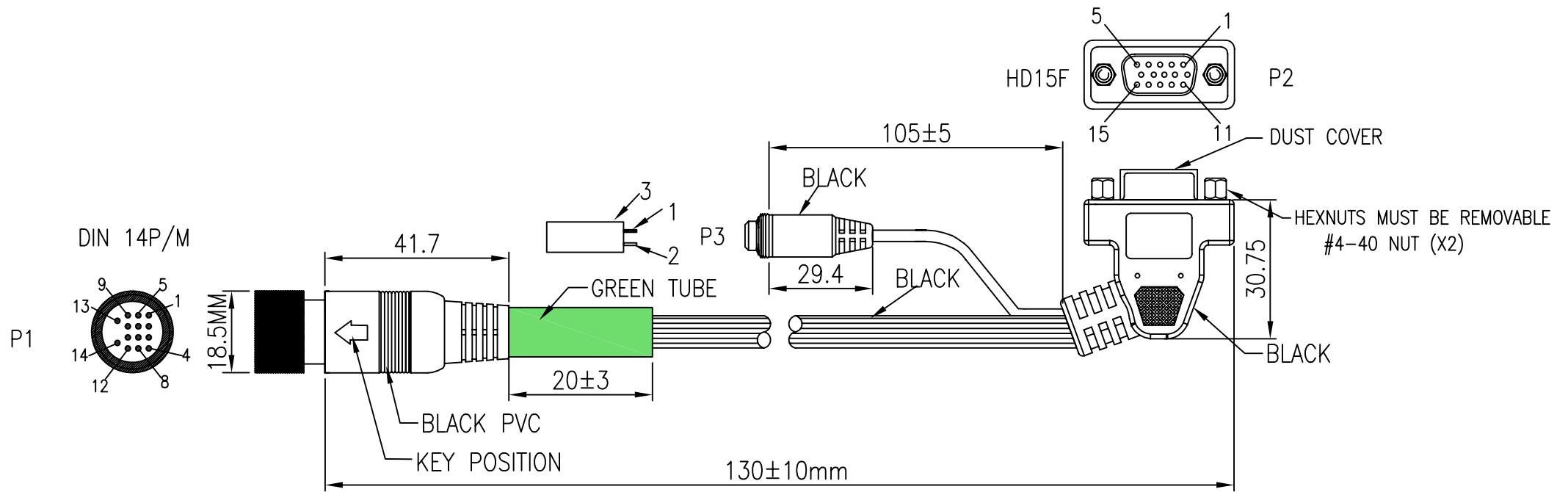
- 1.materials:ABS,UL 94V-0 WHITE TEMPERATURE:-40~68°C,Humidity:10%~90%RH
- 2.Packing:1set mount box with all accessory partspacking in a polybag(marking"UL") measurable quantity polybags in a large polybag a large polybag in an outer carton

NET MECHANISM Corp
www.cabling-ol.net

SCALE	NONE		REV	A
UNIT	MM			
SHEET	1/2	DWG NO.		
DATE	02/26/10			

TITLE DIN 14/M TO HD15/F+3.5ST/F+BOX

PART NO. SBXC-HD15-35F-130



NOTE:

1. CABLE1: [(28AWG X 3COAX, EACH COAX SPIRAL SHIELDED, 75Ω , UL1354) + (24AWG X 4C) + (24AWG X 2PAIRS)], AL-FOIL AND BRAID SHIELDED WITH DRAIN WIRE, UL2919, BLACK PVC JACKET, SLOT $\phi 8.5 \pm 0.15\text{mm}$.
CABLE2: NON UL, 26AWG*2C+SPIRAL SHIELD, BLACK PVC JACK, $OD 3.0 \pm 0.15\text{mm}$.
2. CONN.:
P1: DIN 14P MALE, NICKEL PLATED CONTACTS AND SHELL, LOCKER TYPE.
P2: HIGH DENSITY D-SUB 15PIN FEMALE: SOLDER TYPE, GOLD FLASH CONTACTS, NICKEL PLATED SHELL.
P3: DC3.5mm STEREO JACK, NICKEL PLATED SHELL, WITH NUT.
3. HEX NUT.
4. SHIELDED: COPPER FOIL TAPE COVER PREMOLD AND 100% CONTACT TO CONNECTOR SHELL.
P1: COPPER FOIL TAPE 360° SOLDER; P2: COPPER FOIL TAPE SOLDER TO BRAID.
5. MOLDING BLACK 45 PVC.
6. TEST: 100% ELECTRICAL TEST.
7. MOLD NO.: D14M-N01, D14M-02, HD15F-110-01, HD15F-110-N01, RCA-03, RCA-N03.

NET MECHANISM Corp www.cabling-ol.net				
SCALE	NONE		REV	A
UNIT	MM			
SHEET	2/2	DWG NO.		
DATE	02/26/10			
TITLE DIN 14/M TO HD15/F+3.5ST/F+BOX				
PART NO. SBXC-HD15-35F-130				