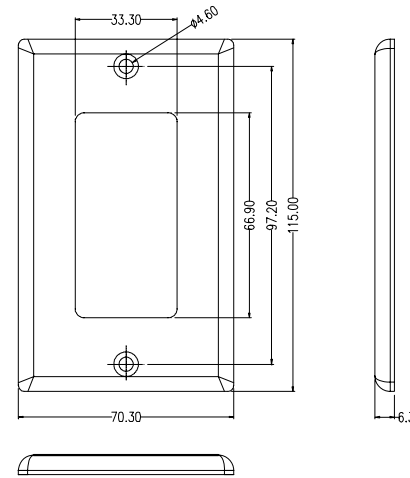
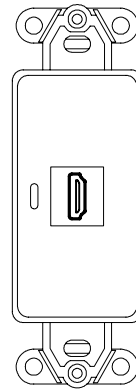
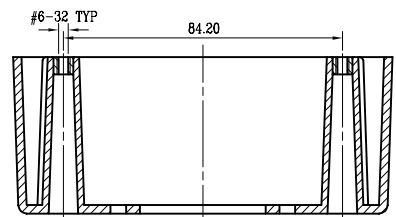
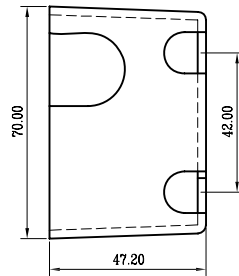
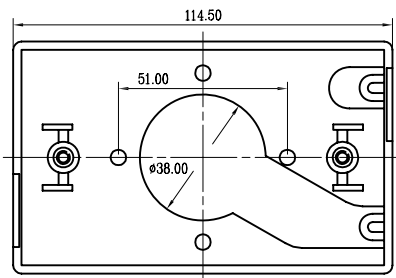
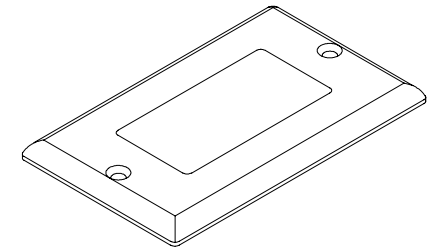


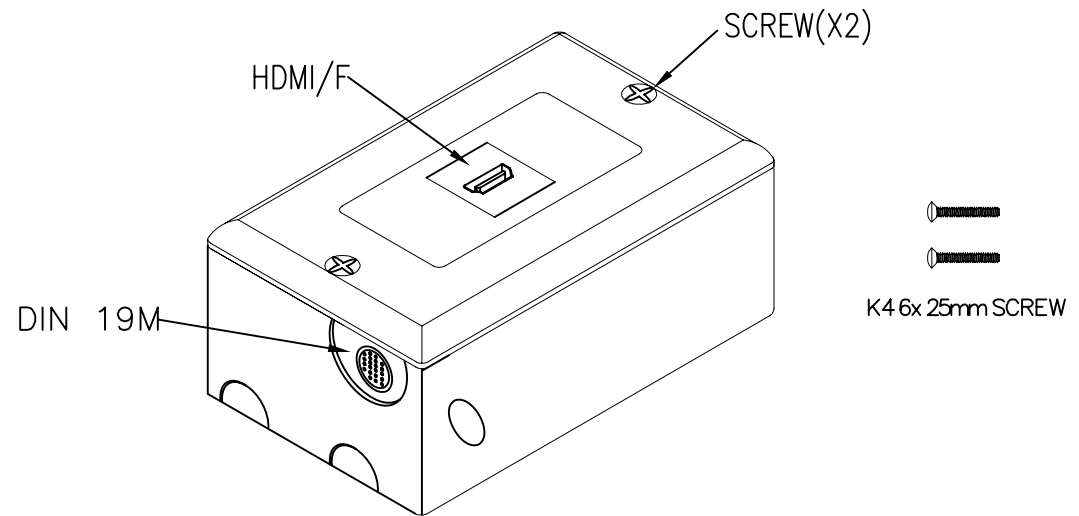
07X-I01-XX



07X-F-1-XX



071-BOX-WH

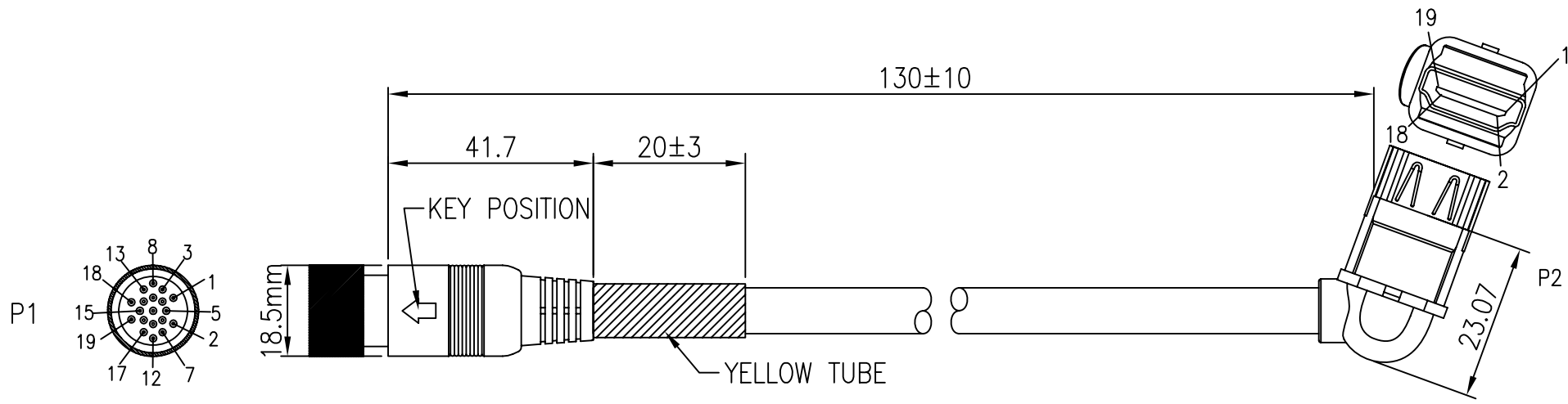


ASSEMBLY DRAWING

NOTE:

- 1.materials:ABS,UL 94V-0 WHITE TEMPERATURE:-40~68°C,Humidity:10%~90%RH
- 2.Packing:1set mount box with all accessory partspacking in a polybag(marking"UL") measurable quantity polybags in a large polybag a large polybag in an outer carton

NET MECHANISM Corp www.cabling-ol.net				
SCALE	NONE		REV	A
UNIT	MM			
SHEET	1/2	DWG NO.		
DATE	02/25/10			
TITLE DIN19M TO HDMI19F				
PART NO. SBXC-HDMIF-130				



PIN OUT

P1	P2 COLOR	P1	P2 COLOR
1	WHITE	10	WHITE
3	BROWN	12	BLUE
2	DRAIN	11	DRAIN
4	WHITE	13	PURPLE
6	RED	14	RED
5	DRAIN	15	YELLOW
7	WHITE	16	ORANGE
9	GREEN	17	BLUE
8	DRAIN	18	GREEN
		19	WHITE
		SHELL	SHELL BRAID

NOTES:

- CABLE: UL20276 HDMI 1.3 CABLE, (28#\*1P+D+MYLAR+AL)\*4C+28#\*1P+28#\*5C+AB, JACKET: BLACK, OD:6.5±0.15mm.
- CONNECTOR: P1: DIN 19P MALE, SOLDER TYPE, TINNED PLATED CONTACTS, INSULATION: BLACK, NICKEL PLATED SHELL. P2: HDMI 19P FEMALE: BLACK INSULATION, GOLD PLATED SHELL.
- P1 SHIELDED: COPPER FOIL TAPE COVER PREMOLD AND 360° SOLDER TO CONNECTOR SHELL AND CABLE BRAID.
- ALL HOOD: P1: MOLDED BLACK PVC;P2: MOLDED 25P WHITE(WH05) PVC.
- TESTING: 100% ELECTRICAL TEST.
- PACKING:EACH CABLE IN A POLY-BAG.
- MOLD NO.: D14M-N01, D14M-02, HDMI-11, HDMI-N11.

NET MECHANISM Corp www.cabling-ol.net				
SCALE	NONE		REV	A
UNIT	MM			
SHEET	2/2	DWG NO.		
DATE	02/25/10			
TITLE				
DIN19M TO HDMI19F				
PART NO.				
SBXC-HDMIF-130				