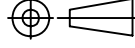
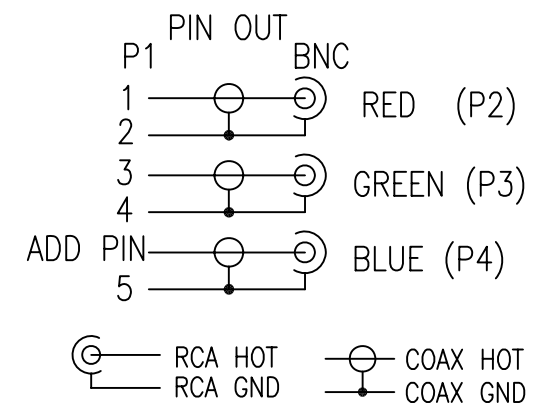
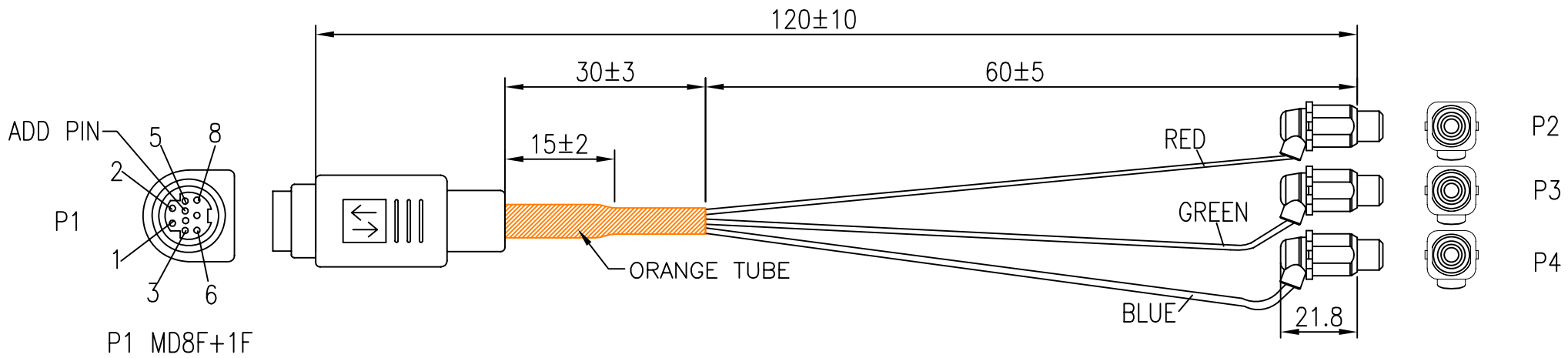


NOTE:  
 1.materials:ABS,UL 94V-0 WHITE TEMPERATURE:-40~68°C,Humidity:10%~90%RH  
 2.Packing:1set mount box with all accessory partspacking in a polybag(marking"UL")  
 measurable quantity polybags in a large polybag a large polybag in an outer carton

NET MECHANISM Corp www.cabling-ol.net				
SCALE	NONE		REV	A
UNIT	MM			
SHEET	1/2	DWG NO.		
DATE	02/25/10			
TITLE	MD8+1 TO 3RCA/F			
PART NO.	SBXC-RGBF-120			



NOTES:

1. CABLE: UL20276 UL1354(30AWG+S)\*5COAX(OFC)+PAPER JACKET PVC BLACK OD:7.0±0.15mm
2. CONN.: P1: MINI DIN 8+1PIN FEMALE: SOLDER TYPE, GOLD FLASH CONTACTS, BLACK INSULATION, NICKEL PLATED. SHELL.  
P2, P3, P4: RCA FEMALE: NICKEL PLATED CONTACTS AND SHELL, SOLDER TYPE.
3. ALL HOOD: MD8+1F MOLDED 45P BLACK PVC, RCA FEMALE MOLDED 25P WHITE(WH05) PVC,
4. TESTING: 100% ELECTRICAL TEST.
5. PACKING:EACH CABLE IN A POLY-BAG.
6. MOLD NO.: MD6F-N01, MD6F-01, RCA-N06, RCA-06.

NET MECHANISM Corp www.cabling-ol.net				
SCALE	NONE		REV	A
UNIT	MM			
SHEET	2/2	DWG NO.		
DATE	02/25/10			
TITLE		MD8+1 TO 3RCA/F		
PART NO.		SBXC-RGBF-120		