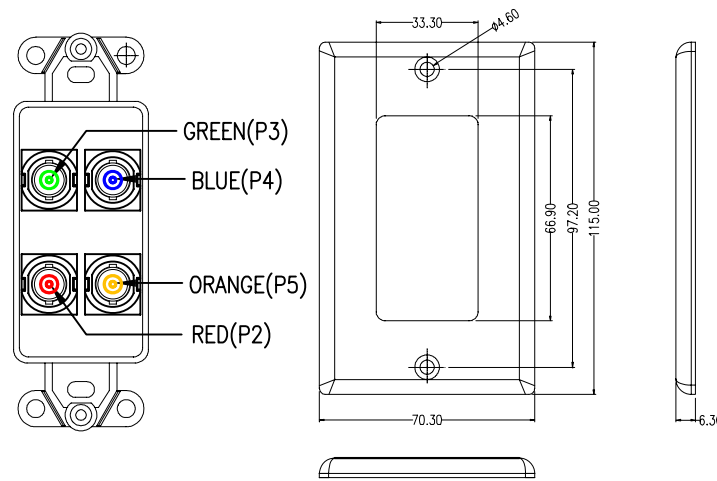
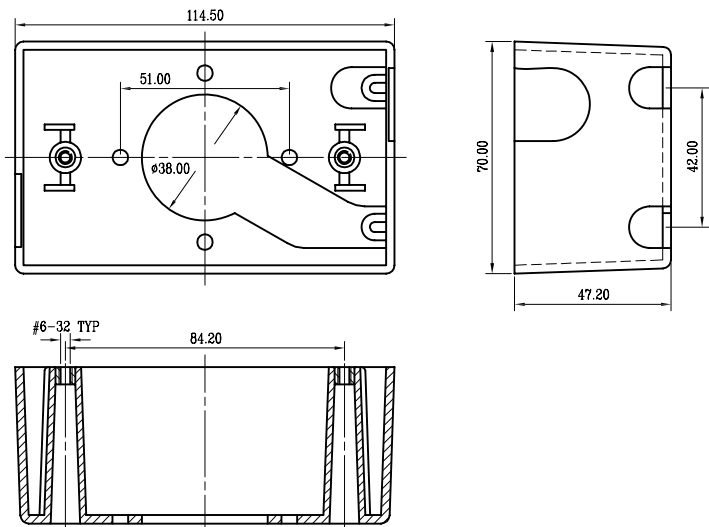


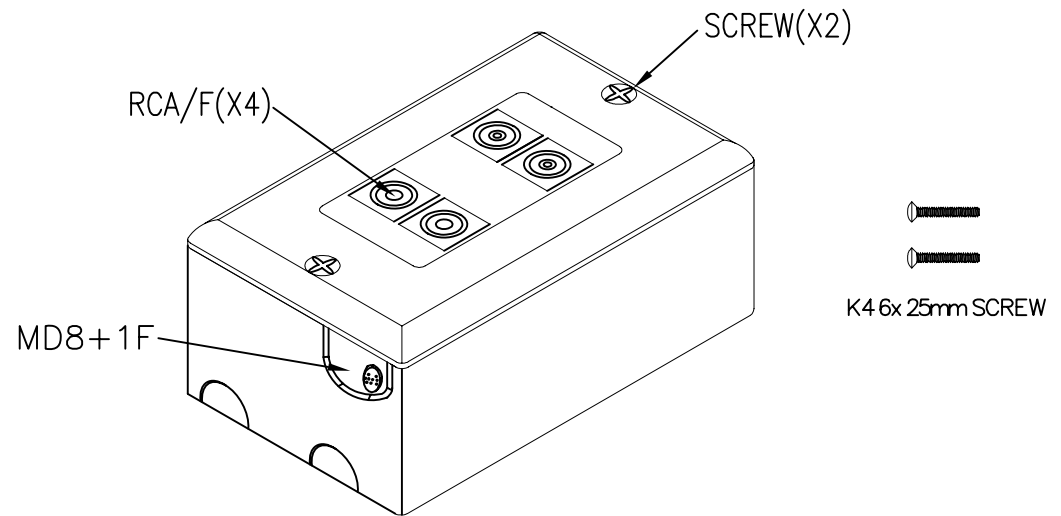
07X-104-XX



07X-F-1-XX



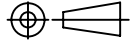
071-BOX-WH

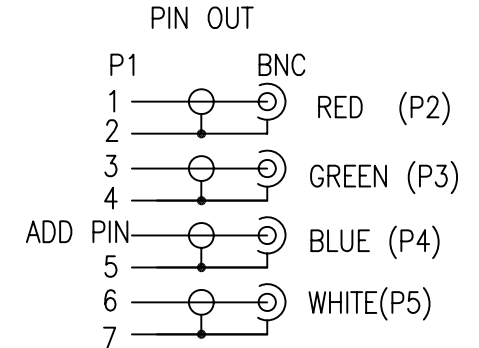
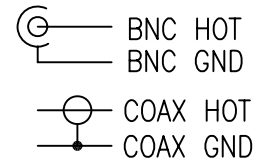
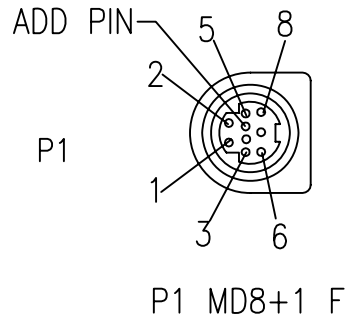
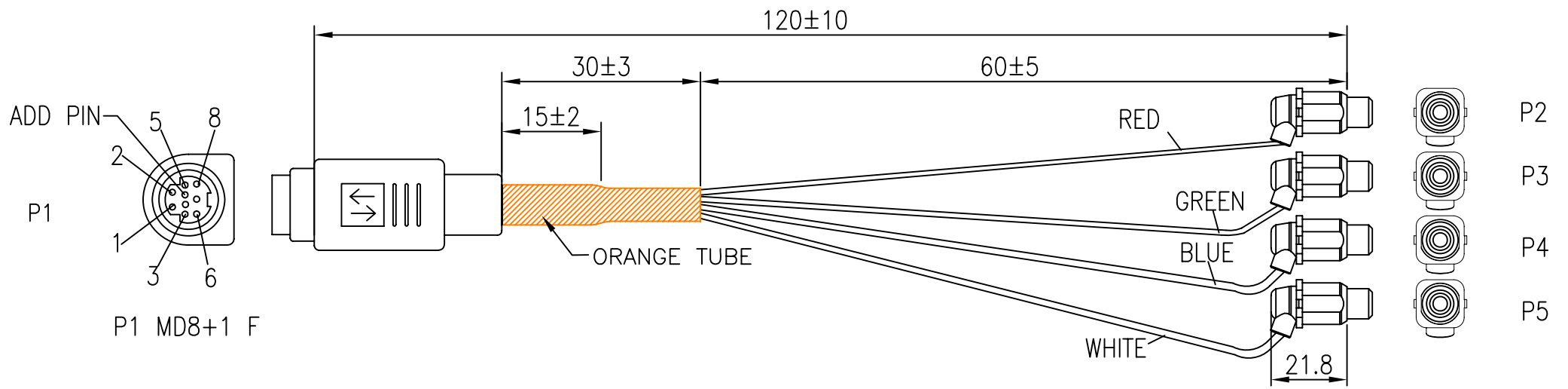


ASSEMBLY DRAWING

NOTE:

- 1.materials:ABS,UL 94V-0 WHITE TEMPERATURE:-40~68°C,Humidity:10%~90%RH
- 2.Packing:1set mount box with all accessory partspacking in a polybag(marking"UL") measurable quantity polybags in a large polybag a large polybag in an outer carton

NET MECHANISM Corp				
www.cabling-ol.net				
SCALE	NONE		REV	A
UNIT	MM			
SHEET	1/2	DWG NO.		
DATE	02/25/10			
TITLE		MD8+1F TO 4RCA/F		
PART NO.		SBXC-RGBOF-120		



NOTE:

1. CABLE:UL20276 UL1354(30AWG+S)*5COAX(OFC)+PAPER JACKET PVC BLACK OD:7.0±0.15MM
2. CONNECTOR: P1: P1: MINI DIN 8+1PIN FEMALE: SOLDER TYPE, GOLD FLASH CONTACTS, BLACK INSULATION, NICKEL PLATED. SHELL.
P2, P3, P4,P5: RCA FEMALE: NICKEL PLATED CONTACTS AND SHELL, SOLDER TYPE.
3. ALL HOOD: MD8+1F MOLDED 45P BLACK PVC,RCA FEMALE MOLDED 25P WHITE(WH05) PVC.
4. TESTING: 100% ELECTRICAL TEST.
5. PACKING: EACH CABLE IN A POLY-BAG.
6. MOLD NO.: MD6F-N01, MD6F-01, RCA-N06,RCA-06.

NET MECHANISM Corp
www.cabling-ol.net

SCALE	NONE		REV	A
UNIT	MM			
SHEET	2/2	DWG NO.		
DATE	02/25/10			
TITLE	MD8+1F TO 4RCA/F			
PART NO.	SBXC-RGBOF-120			