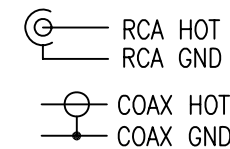
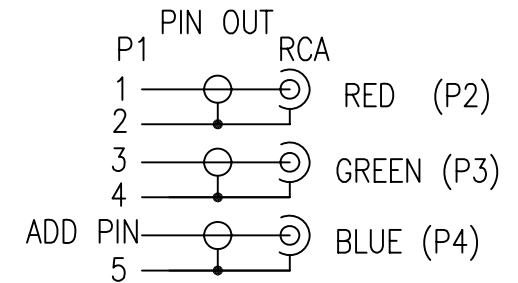
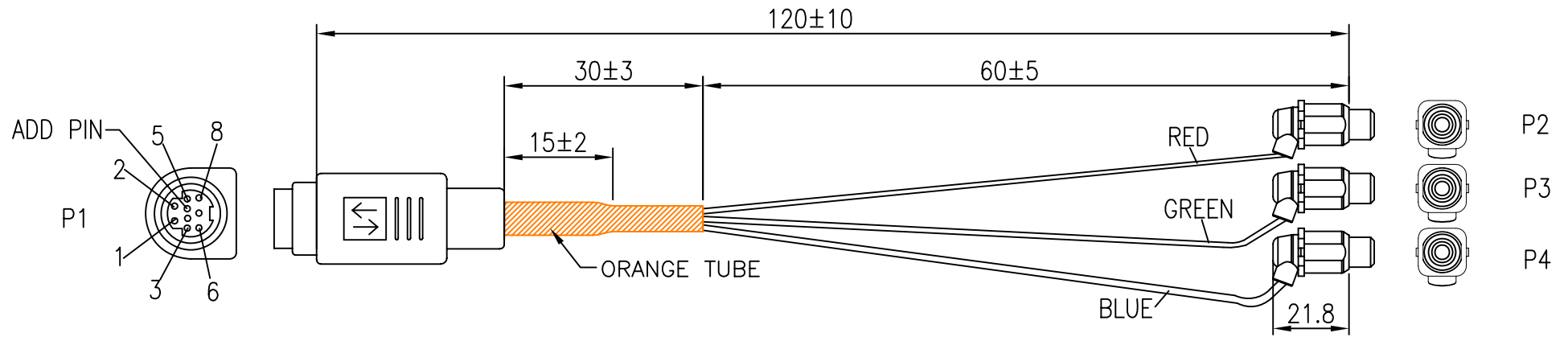


NOTE:  
 1.materials:ABS,UL 94V-0 WHITE TEMPERATURE:-40~68°C,Humidity:10%~90%RH  
 2.Packing:1set mount box with all accessory partspacking in a polybag(marking"UL")  
 measurable quantity polybags in a large polybag a large polybag in an outer carton

NET MECHANISM Corp www.cabling-ol.net				
SCALE	NONE	⊕	REV	A
UNIT	MM			
SHEET	1/2	DWG NO.		
DATE	02/25/10			
TITLE MD8+1F TO 3RCA				
PART NO. SBXC-YRWF-120				



NOTE:

1. CABLE UL20276 UL1354(30AWG+S)\*5COAX(OFC)+PAPER JACKET PVC BLACK OD:7.0±0.15MM
2. CONNECTOR: P1: MINI DIN 8+1PIN FEMALE: SOLDER TYPE, GOLD FLASH CONTACTS, BLACK INSULATION, NICKEL PLATED. SHELL.  
P2, P3, P4: RCA FEMALE: NICKEL PLATED CONTACTS AND SHELL, SOLDER TYPE.
3. ALL HOOD:MD8+1F MOLDED 45P BLACK PVC,RCA FEMALE MOLDED 25P WHITE(WH05) PVC.
4. PACKING: EACH CABLE IN A POLY-BAG
5. TESTING:100% ELECTRICAL TEST.
6. MOLD NO: MD6F-N01, MD6F-01, RCA-N06,RCA-06.

NET MECHANISM Corp www.cabling-ol.net				
SCALE	NONE	⊕	REV	A
UNIT	MM			
SHEET	2/2	DWG NO.		
DATE	02/25/10			
TITLE	MD8+1F TO 3RCA			
PART NO.	SBXC-YRWF-120			