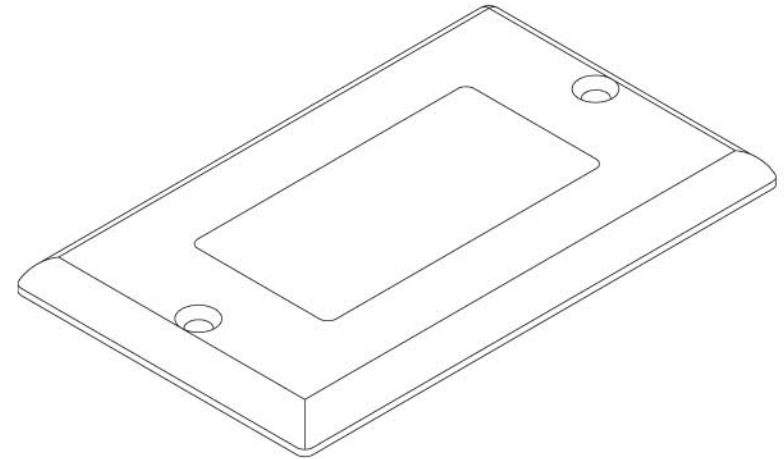
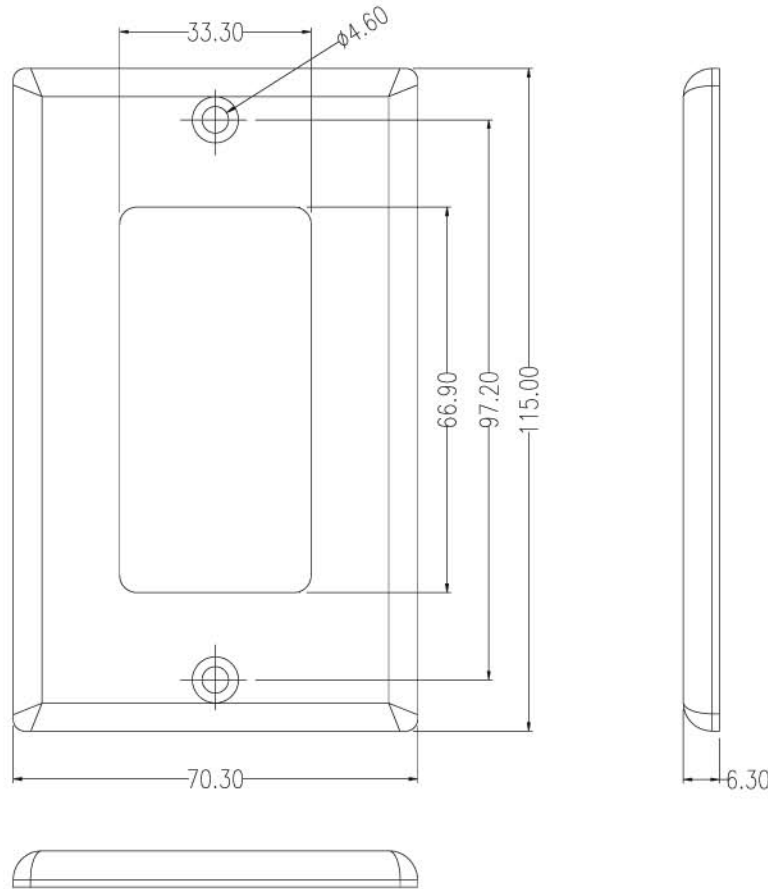


REVISIONS				
ZONE	REV	DESCRIPTION	DATE	APPROVED
	▲			
	▲			



**MATERIAL**  
Housing: ABS, UL 94V-0  
COLOR: WHITE,IVORY.....  
Temperature: -40°C ~ 68°C  
Humidity: 10% ~90% RH

**ENCLOSURE:**  
K4-6 x 8mm SCREW X 2

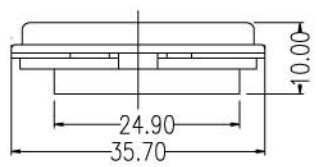
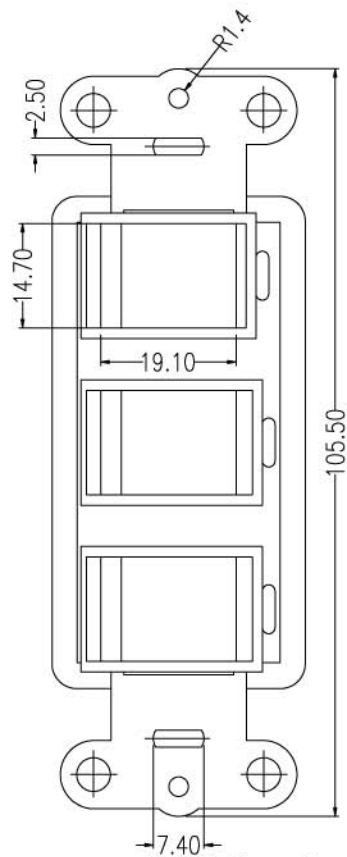
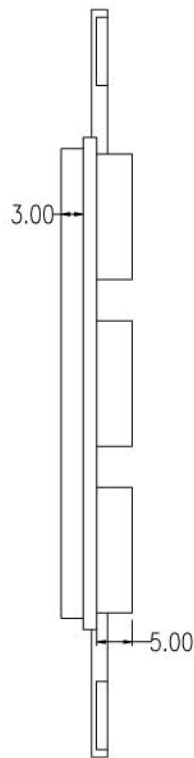
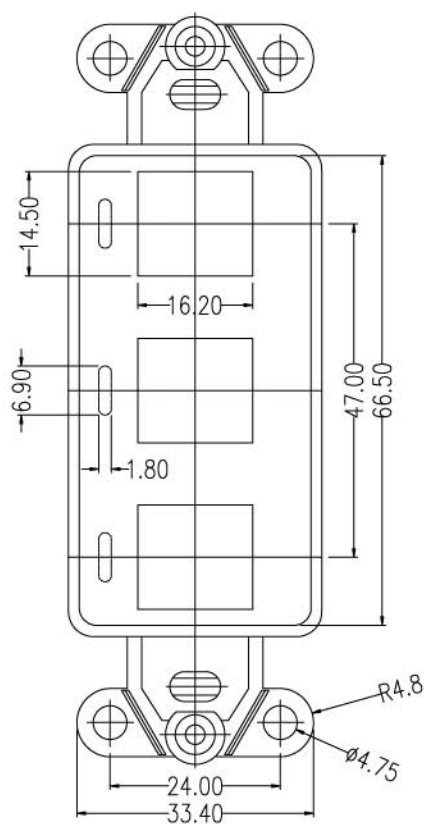
**RoHS Compliant**

COMMON TOLERANCE			SHEET OF	ALL COPY RIGHTS RESERVED	
CLASS DIMENSION	A	B	SIZE	A4	NET MECHANISM Corp www.cabling-ol.net
	L<=3	±0.05	±0.1	DIA	
	3<L<=6	±0.05	±0.1	SCALE	4:5
	6<L<=16	±0.1	±0.15	DATE	2004.10.15
	16<L<=30	±0.1	±0.2	DESIGN	
	30<L<=120	±0.15	±0.3	DRAWN	
	120<L<=315	±0.2	±1	CHECKED	

TITLE  
3 port single gang insert with cover and back surface mount box 2" deep box - White

DRAWING NO.

REVISIONS				
ZONE	REV	DESCRIPTION	DATE	APPROVED
	1			
	2			



**MATERIAL**

Housing: ABS, UL 94V-0  
 COLOR: WHITE, IVORY.....  
 Temperature: -40° C ~ 68° C  
 Humidity: 10% ~ 90% RH

**ENCLOSURE:**

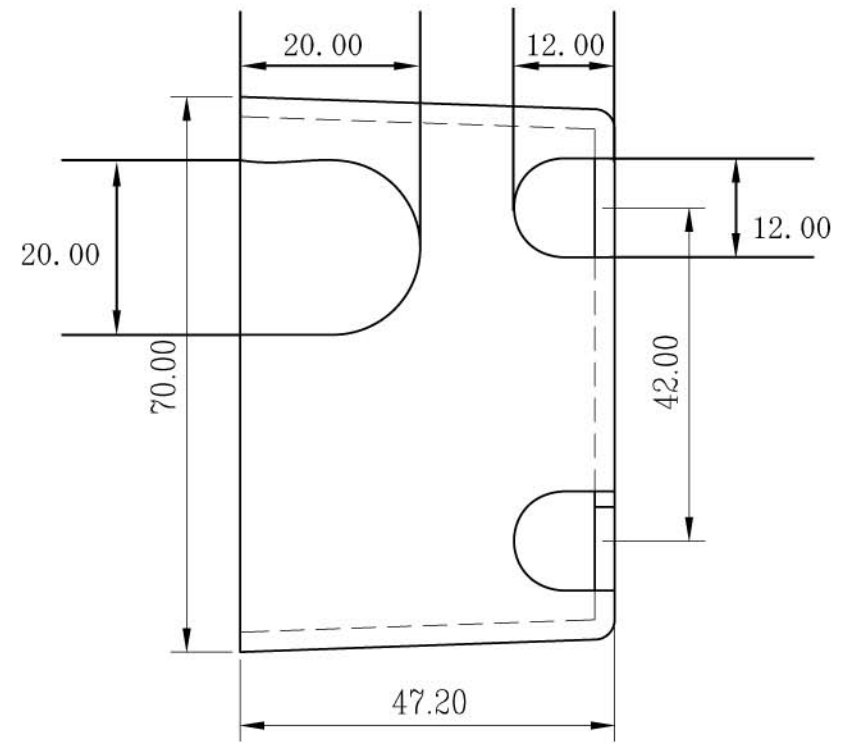
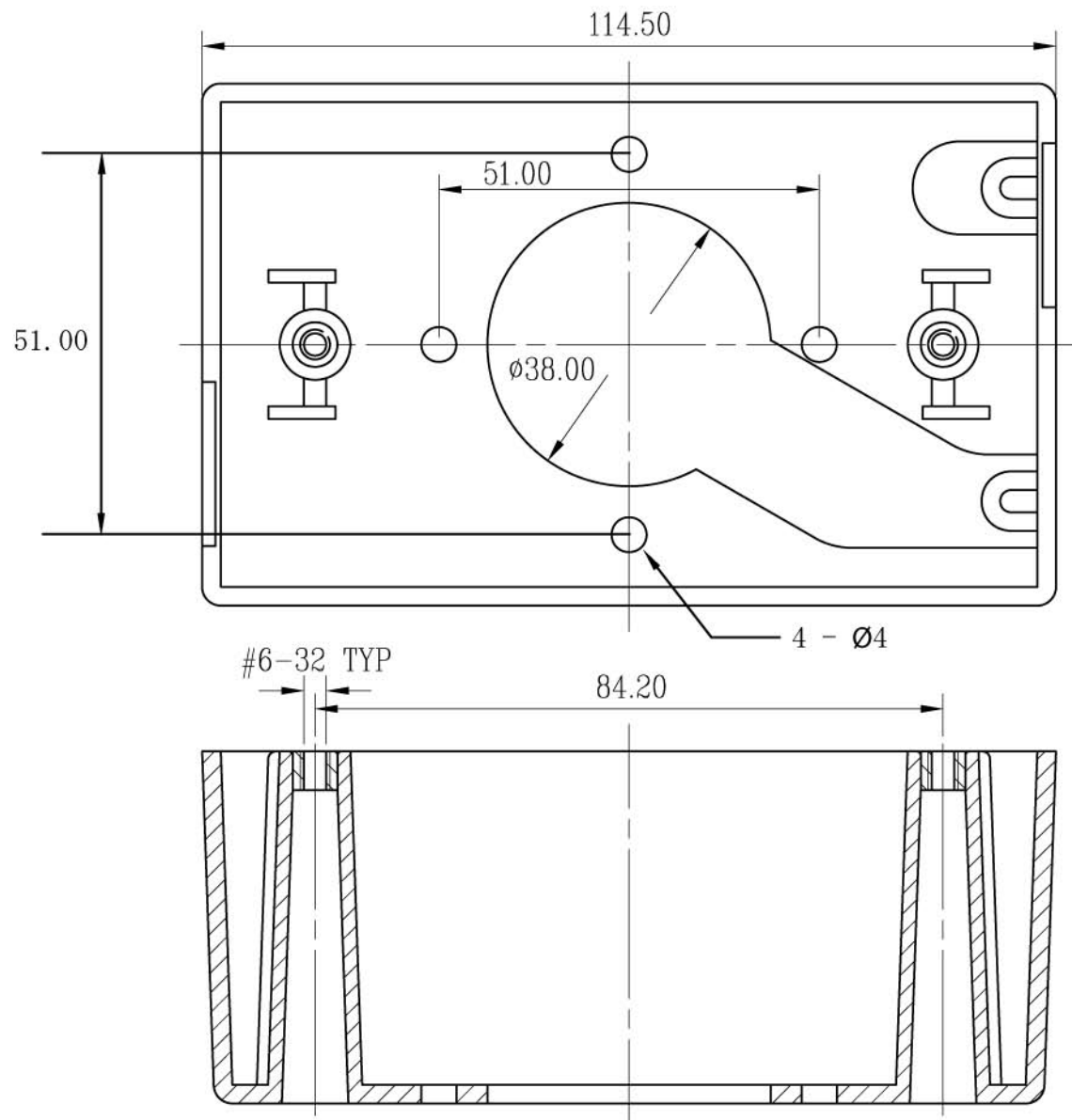
 K4 6x25mm SCREW X 2



**RoHS Compliant**

COMMON TOLERANCE		SHEET OF	ALL COPY RIGHTS RESERVED	
CLASS	A		B	
DIMENSION	A	B	SIZE	A4
L <= 3	±0.05	±0.1	DIA	mm
3 < L <= 6	±0.05	±0.1	SCALE	1:1
6 < L <= 16	±0.1	±0.15	DATE	2004.10.26
16 < L <= 30	±0.1	±0.2	DESIGN	
30 < L <= 120	±0.15	±0.3	DRAWN	
120 < L <= 315	±0.2	±0.5	CHECKED	

NET MECHANISM Corp  
 www.cabling-ol.net  
 TITLE  
 3 port single gang insert with cover and back surface mount box 2" deep box - White  
 DRAWING NO.



SHEET 1 of 1	ALL COPY RIGHTS RESERVED	
SIZE A	NET MECHANISM Corp www.cabling-ol.net	
MEA. mm		
DATE: 12/13/94	TITLE	
DWG NO.	Single gang Universal Surface Mounting Box - White	
SCALE: 1:1	DRAWN BY	CHECKED BY