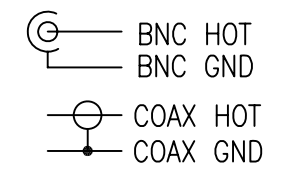
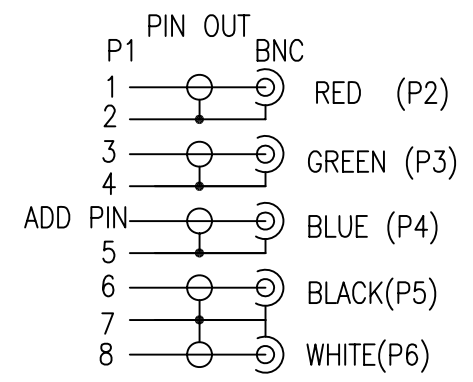
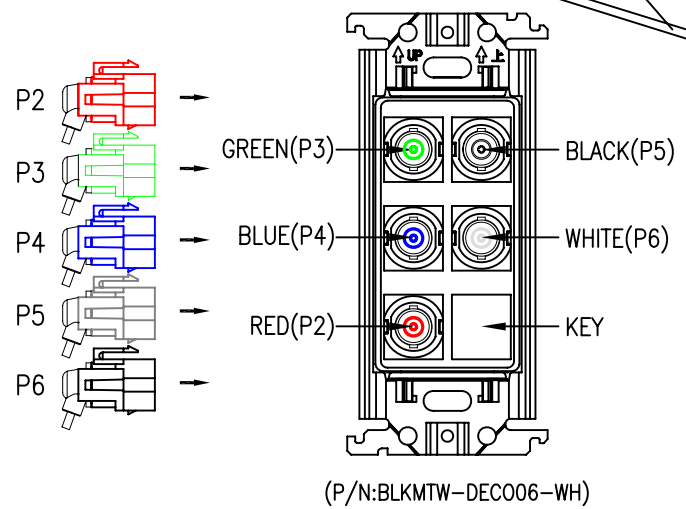


1PC WALL PLATE AND 2PCS SCREW
IN A BLANK BIBBLE-BAG



NOTE:

- CABLE: UL20276 UL1354(30AWG+S)*5COAX(OFC)+PAPER JACKET PVC BLACK OD:7.0±0.15MM
- CONNECTOR: P1: MINI DIN 8+1PIN FEMALE: SOLDER TYPE, GOLD FLASH CONTACTS, BLACK INSULATION, NICKEL PLATED. SHELL.
P2, P3, P4, P5, P6: BNC FEMALE WHITE INSULATION, COPPER COVER, 75 ohm.
- JAPAN PLASTIC FACE PLATE: 6 PORTS. WHITE PAINTED.
- JAPAN 120 TYPE WALL PLATE: MATERIAL: STAINLESS STEEL, 0.6MM.
- SCREW: M3.5 (PITCH=0.6MM), L=6MM, NICKEL PLATED,
- MD8+1F MOLDED 45P BLACK PVC, BNC FEMALE MOLDED 25P WHITE (WH05) PVC.
- TESTING: 100% ELECTRICAL TEST.
- PACKING: EACH CABLE IN A BOX.
- MOLD NO.: MD6F-N01, MD6F-01, BNC-N05, BNC-05.

NET MECHANISM Corp www.cabling-ol.net				
SCALE	NONE		REV	A
UNIT	MM			
SHEET	1/1	DWG NO.		
DATE	03/02/10			
TITLE	MD8+1F TO 5BNC/F+FACE PLATE			
PART NO.	SFPC-5BNC-F-120			