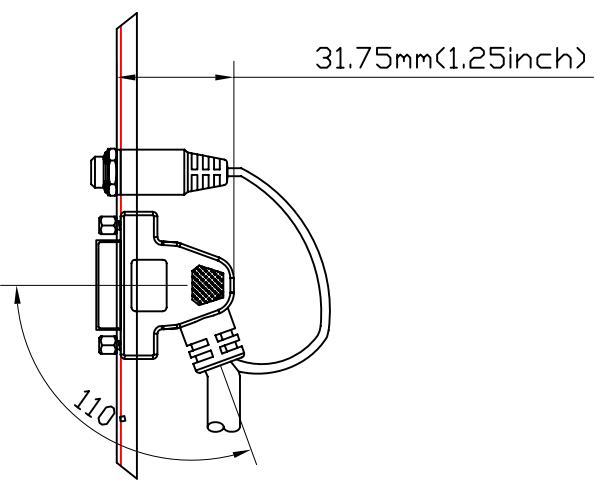
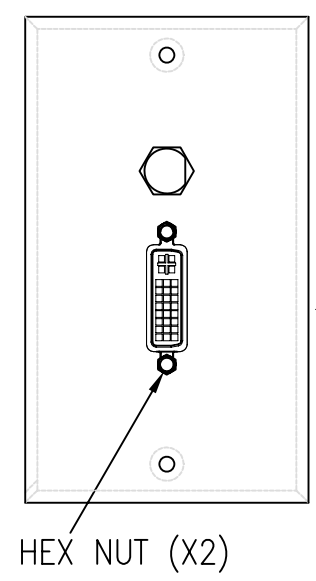
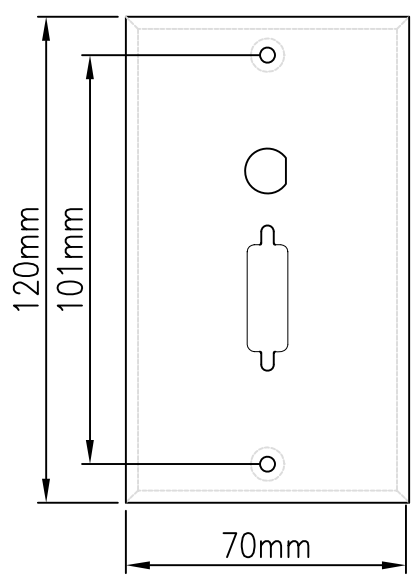


SCREW(2PCS)

DVI+3.5FT FACE PLATE

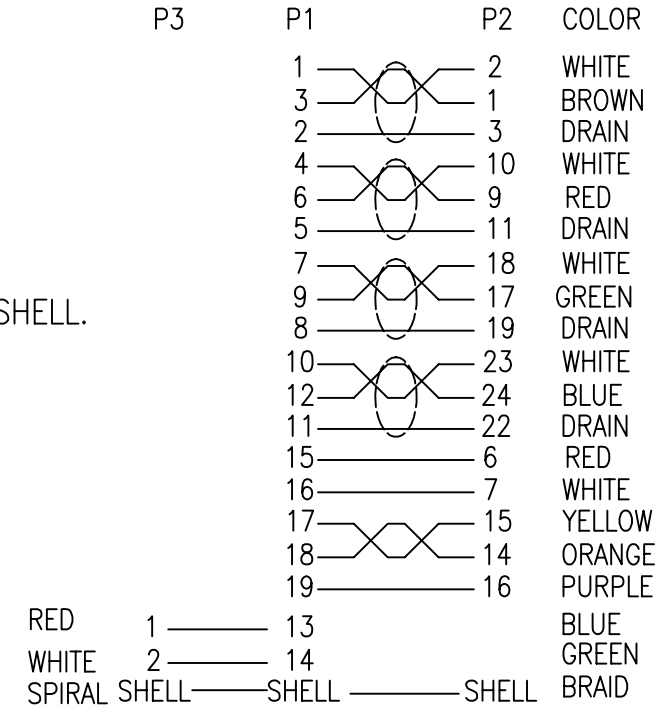


NET MECHANISM Corp				
www.cabling-ol.net				
SCALE	NONE		REV	A
UNIT	MM			
SHEET	1/2	DWG NO.		
DATE	04/15/10			
TITLE				
DIN19M TO DVI24+5 F+FACE PLATE				
PART NO.				
SFPC-DVID-35F-130				

NOTE:

1. CABLE: UL20276 HDMI 1.3 CABLE, (28#*1P+D+MYLAR+AL)*4C+28#*1P+28#*5C
 +AB JACKET: BLACK OD:6.5MM.
 CABLE2:NON UL, 26AWG*2C+SPIRAL SHIELD,BLACK PVC JACK,OD3.0±0.15mm.
2. CONNECTOR: P1: DIN 19P MALE, SOLDER TYPE, TINNED PLATED CONTACTS,
 INSULATION: BLACK, NICKEL PLATED SHELL, LOCKER TYPE.
 P2: DVI 24+5 FEMALE, PIN: G/F, INSULATION WHITE, NICKEL PLATED SHELL.
 WITH METAL HEX NUT.
 P3: DC3.5mm STEREO JACK, NICKEL PLATED SHELL, WITH NUT.
3. HEX NUT.
4. 1PCS JAPAN METAL PANEL: 3.5ST JACK+DVI, STAINLESS STEEL,2PCS SCREW.
5. SHIELDED: COPPER FOIL TAPE COVER PREMOLD AND 100% CONTACT TO CONNECTOR SHELL.
 P1: COPPER FOIL TAPE 360° SOLDER; P2: COPPER FOIL TAPE SOLDER TO BRAID.
6. MOLDING BLACK 45 PVC.
7. TEST: 100% ELECTRICAL TEST.
8. MOLD NO.:D14M-N01,D14M-O2.DVIF-110-01,DVIF-110-N01,RCA-03,RCA-N03.

WIRE CONNECTION



NET MECHANISM Corp www.cabling-ol.net				
SCALE	NONE		REV	A
UNIT	MM			
SHEET	2/2	DWG NO.		
DATE	04/15/10			
TITLE DIN19M TO DVI24+5 F+FACE PLATE				
PART NO. SFPC-DVID-35F-130				