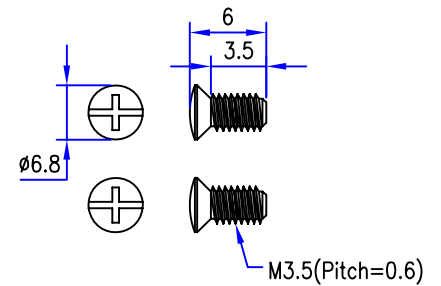
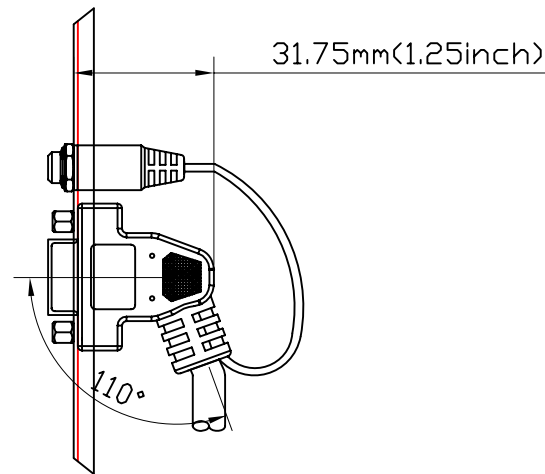
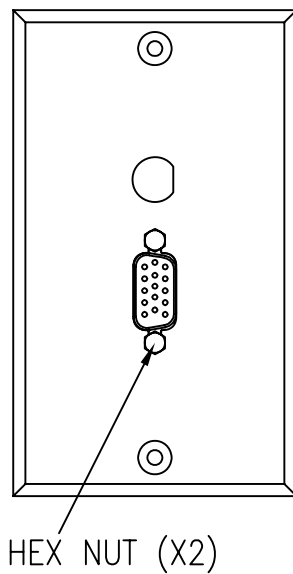
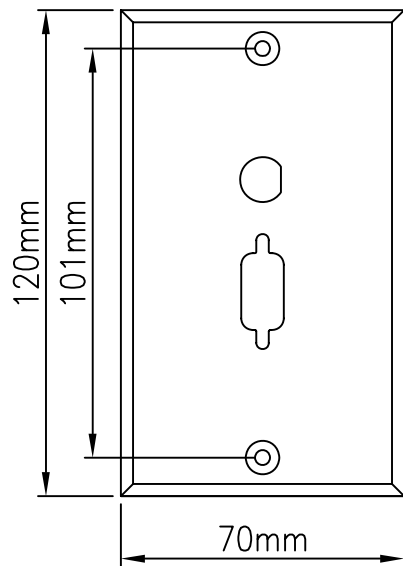
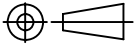


HDB15+3.5FT FACE PLATE

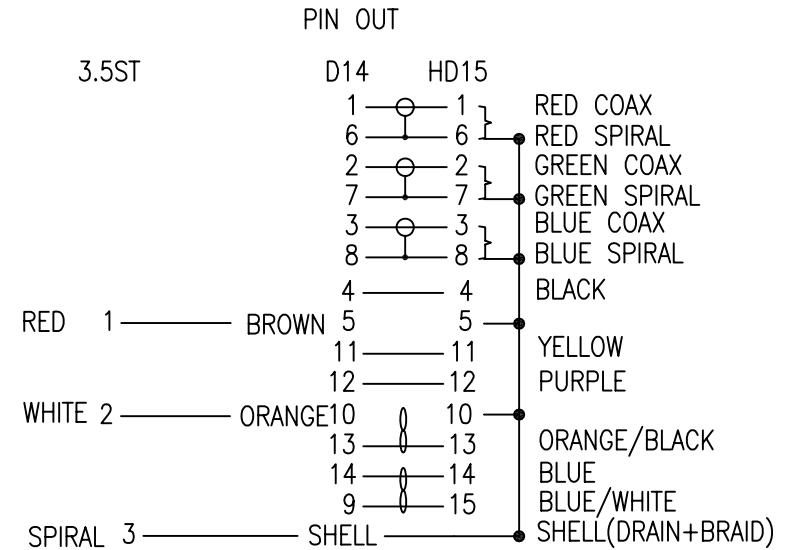


SCREW(2PCS)

NET MECHANISM Corp				
www.cabling-ol.net				
SCALE	NONE		REV	A
UNIT	MM			
SHEET	1/2	DWG NO.		
DATE	04/15/10			
TITLE				
DIN 14/M TO HD15/F+3.5ST/F				
PART NO.				
SFPC-HD15-35F-130				

NOTE:

1. CABLE1: [(28AWG X 3COAX, EACH COAX SPIRAL SHIELDED, 75Ω, UL1354) + (24AWG X 4C) + (24AWG X 2PAIRS)], AL-FOIL AND BRAID SHIELDED WITH DRAIN WIRE, UL2919, BLACK PVC JACKET, SLOT  $\varnothing 8.5 \pm 0.15$ mm.  
CABLE2: NON UL, 26AWG\*2C+SPIRAL SHIELD, BLACK PVC JACK, OD  $3.0 \pm 0.15$ mm.
2. CONN.:  
P1: DIN 14P MALE, NICKEL PLATED CONTACTS AND SHELL, LOCKER TYPE.  
P2: HIGH DENSITY D-SUB 15PIN FEMALE: SOLDER TYPE, GOLD FLASH CONTACTS, NICKEL PLATED SHELL.  
P3: DC3.5mm STEREO JACK, NICKEL PLATED SHELL, WITH NUT.
3. HEX NUT.
4. 1PCS JAPAN METAL PANEL: 3.5ST JACK+HD15F, STAINLESS STEEL, 2PCS SCREW.
5. SHIELDED: COPPER FOIL TAPE COVER PREMOLD AND 100% CONTACT TO CONNECTOR SHELL.  
P1: COPPER FOIL TAPE 360° SOLDER; P2: COPPER FOIL TAPE SOLDER TO BRAID.
6. MOLDING BLACK 45 PVC.
7. TEST: 100% ELECTRICAL TEST.
8. MOLD NO.: D14M-N01, D14M-02, HD15F-110-01, HD15F-110-N01, RCA-03, RCA-N03.



NET MECHANISM Corp www.cabling-ol.net				
SCALE	NONE		REV	A
UNIT	MM			
SHEET	2/2	DWG NO.		
DATE	04/15/10			
TITLE DIN 14/M TO HD15/F+3.5ST/F				
PART NO. SFPC-HD15-35F-130				