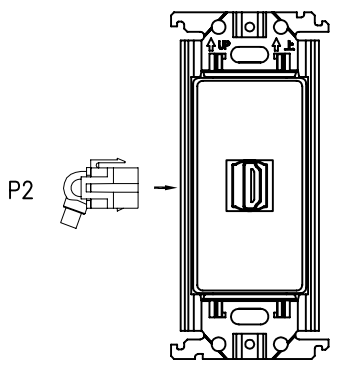


1PC WALL PLATE AND 2PCS SCREW
IN A BLANK BIBBLE-BAG



(P/N:BLKMTW-DECO01-WH)

PIN OUT

P1	P2 COLOR	P1	P2 COLOR
1	WHITE	10	WHITE
3	BROWN	12	BLUE
2	DRAIN	11	DRAIN
4	WHITE	13	PURPLE
6	RED	14	RED
5	DRAIN	15	YELLOW
7	WHITE	16	ORANGE
9	GREEN	17	BLUE
8	DRAIN	18	GREEN
		19	WHITE
	SHELL		SHELL BRAID

NOTE:

- CABLE: UL20276 HDMI 1.3 CABLE, (28#*1P+D+MYLAR+AL)*4C+28#*1P+28#*5C+AB, JACKET: BLACK, OD:6.5MM.
- CONNECTOR: P1: DIN 19P MALE, SOLDER TYPE, TINNED PLATED CONTACTS, INSULATION: BLACK, NICKEL PLATED SHELL.
P2: HDMI 19P FEMALE: BLACK, GOLD PLATED SHELL.
- JAPAN PLASTIC FACE PLATE: 1PORT, WHITE PLASTIC.
- JAPAN 120 TYPE WALL PLATE: MATERIAL:STAINLESS STEEL, 0.6MM.
- SCREW:M3.5(PITCH=0.6MM),L=6MM,NICKEL PLATED,
- P1 SHIELDED: COPPER FOIL TAPE COVER PREMOLD AND 360° SOLDER TO CONNECTOR SHELL AND CABLE BRAID.
- HOOD: P1: MOLDED BLACK PVC;P2: MOLDED 25P WHITE(WH05) PVC.
- 100% OPEN AND SHORT TESTING.
- MOLD NO: D14M-N01, D14M-O2, HDMI-11, HDMI-N11.

NET MECHANISM Corp www.cabling-ol.net				
SCALE	NONE		REV	A
UNIT	MM			
SHEET	1/1	DWG NO.		
DATE	03/02/10			
TITLE DIN19M TO HDMI19F+FACE PLATE				
PART NO. SFPC-HDMIF-130				