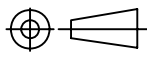


NOTES:

1. CABLE: UL20276 UL1354(30AWG+S)\*5COAX(OFC)+PAPER JACKET PVC BLACK OD:7.0±0.15mm
2. CONN.: P1:MINI DIN 8+1PIN FEMALE:SOLDER TYPE, GOLD FLASH CONTACTS,BLACK INSULATION, NICKEL PLATED. SHELL. P2, P3, P4: RCA FEMALE: NICKEL PLATED CONTACTS AND SHELL,SOLDER TYPE. P5: MD4 FEMALE: NICKEL PLATED CONTACTS AND SHELL,BLACK INSULATION.
3. ALL HOOD:P1 MOLDED 45P BLACK PVC;P2~P5 MOLDED 25P WHITE(WH05) PVC.
4. MODULE:071D MATERIAL:PC,COLOR:RED&WHITE&YELLOW&BLACK.
5. TESTING: 100% ELECTRICAL TEST.
6. MOLD NO.: MD6F-N01, MD6F-01; RCA-N06,RCA-06.

NET MECHANISM Corp www.cabling-ol.net				
SCALE	NONE		REV	A
UNIT	MM			
SHEET	1/1	DWG NO.		
DATE	06/16/11			
TITLE		MD8+1F TO 3RCA/F+MD4F		
PART NO.		SICC-MD4F-3RCAF-120		