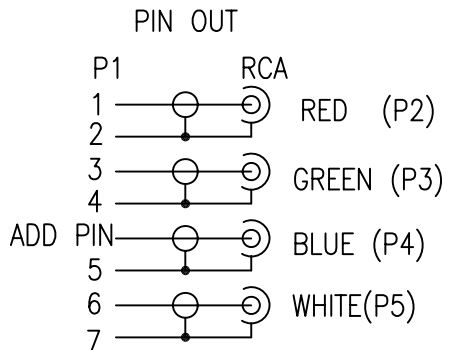
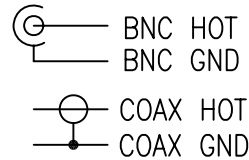


ASSEMBLY DRAWING

- NOTE:
- CABLE:UL20276 UL1354(30AWG+S)*5COAX(OFC)+PAPER JACKET PVC BLACK OD:7.0±0.15MM
 - CONNECTOR: P1: MINI DIN 8+1PIN FEMALE: SOLDER TYPE, GOLD FLASH CONTACTS,BLACK INSULATION, NICKEL PLATED. SHELL. P2~P5:RCA FEMALE:NICKEL PLATED CONTACTS AND SHELL, SOLDER TYPE.
 - ALL HOOD: MD8+1F MOLDED 45P BLACK PVC,RCA FEMALE MOLDED 25P WHITE(WH05) PVC.
 - MODULE:071D MATERIAL:PC,COLOR:RED&GREEN&BLUE&ORANGE.
 - TESTING: 100% ELECTRICAL TEST.
 - MOLD NO.: MD6F-N01, MD6F-01, RCA-N06,RCA-06.



| | | | |
|--------------------|----------|---------|-----|
| NET MECHANISM Corp | | | |
| www.cabling-ol.net | | | |
| SCALE | NONE | | REV |
| UNIT | MM | | A |
| SHEET | 1/1 | DWG NO. | |
| DATE | 06/16/11 | | |
| TITLE | | | |
| MD8+1F TO 4RCA/F | | | |
| PART NO. | | | |
| SICC-RGBOF-120 | | | |