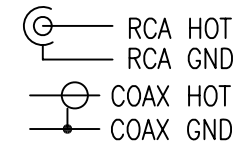
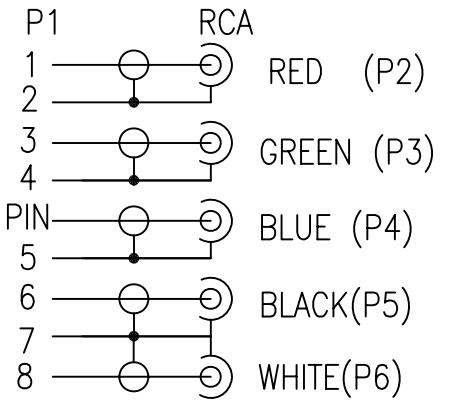


ASSEMBLY DRAWING

NOTE:

1. CABLE: UL20276 UL1354(30AWG+S)*5COAX(OFC)+PAPER JACKET PVC BLACK OD:7.0±0.15MM
2. CONNECTOR: P1: MINI DIN 8+1PIN FEMALE: SOLDER TYPE, GOLD FLASH CONTACTS,BLACK INSULATION, NICKEL PLATED. SHELL. P2, P3, P4, P5, P6: RCA FEMALE: NICKEL PLATED CONTACTS AND SHELL, SOLDER TYPE.
3. ALL HOOD:MD8+1F MOLDED 45P BLACK PVC,RCA FEMALE MOLDED 25P WHITE(WH05) PVC.
4. MODULE:071D MATERIAL:PC,COLOR:RED&GREEN&BLUE&WHITE..
5. TESTING: 100% ELECTRICAL TEST.
6. MOLD NO.: MD6F-N01, MD6F-01, RCA-N06,RCA-06.

PIN OUT



NET MECHANISM Corp www.cabling-ol.net				
SCALE	NONE		REV	A
UNIT	MM			
SHEET	1/1	DWG NO.		
DATE	06/16/11			
TITLE		MD8+1F TO 5RCA/F		
PART NO.		SICC-RGBRWF-120		