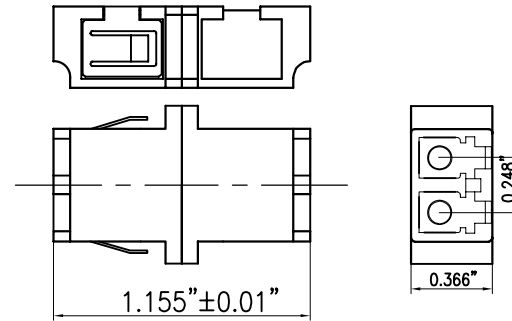
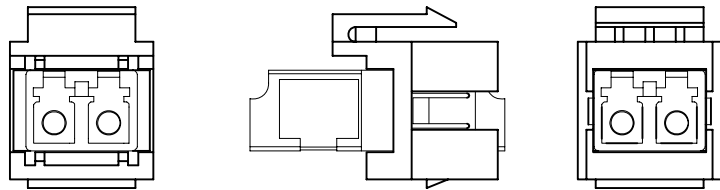


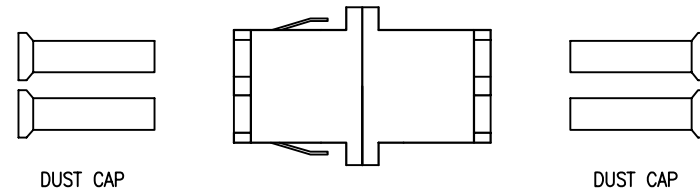
MODULE DRAWING(UNIT:INCH)



DLC ADAPTER(UNIT:INCH)



ASSEMBLY DRAWING



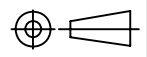
DUST CAP

DUST CAP

NOTES:

1. MODULE:MATERIAL:PC+ABS, WHITE.
2. ADAPTOR:DUPLC ADAPTER, MULTI-MODE,MINI TYPE, 890D-DLC-DLC-M
3. MOLD:071-02.

C	ADD PRODUCT DUST CAP	10/27/10
B	CANCEL PRODUCT DUST CAP	04/30/10
A	INITIAL RELEASE	10/24/08
REV	DESCRIPTION OF CHANGE	DATE

NET MECHANISM Corp www.cabling-ol.net				
SCALE	NONE		REV	C
UNIT	INCH			
SHEET	1/1	DWG NO.		
DATE	10/27/10	TITLE		
		MINI DUPLEX LC MODULE		
		PART NO.		
		SIM-DLC-WH		