


US LISTED
Cat 6
UL CERTIFIED
FILE NO. E145249
ACCORDING TO TIA/EIA-568-B.2-1
REQUIREMENTS

Physical Specification

Plastic frame: ABS high-impact UL94V-0 thermoplastic
 Jack housing: ABS high-impact UL94V-0 thermoplastic
 Contact holder : PBT PA-66 high-impact UL94V-0 thermoplastic, 25% Glass Fiber filled
 Spring wire: Phosphor Bronze 5100W temper wire 50u" Gold over 100u" Nickel undercoat
 IDC housing: Polycarbonate resin high-impact UL94V-0 thermoplastic
 IDC contact: Phosphor Bronze C5191R-H, t=0.4mm, 100u" Tin over 50u" Nickel undercoat
 Insertion Life: 750 mating cycles with FCC compliant RJ-45 plug
 Contact force: 100 grams with FCC compliant RJ-45 plug
 Plug retention force: 11 lbf min
 Durability: 200 termination cycles
 Contact compatibility: Accommodates 22 to 26 AWG solid / 24 AWG stranded
 Operating Temperature Range: -10°C to 60°C
 Storage Temperature Range: -40°C to 68°C
 Humidity: 10%~90%RH

Enclosure

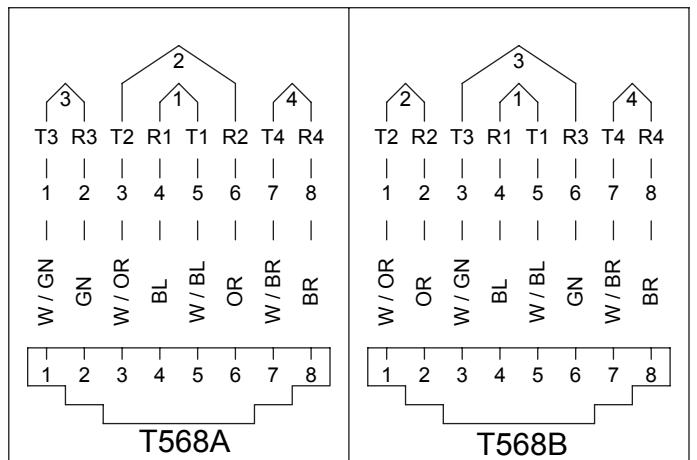
IDC Cap X 4 PCS
 Nylon Cable tie X 2 PCS
 K5 Screw X 2 PCS
 Twin Adhesive X 2 PC(55x45mm)

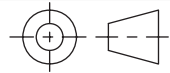
RoHS Compliant

TOLERANCE				
~20	~50	~150	150~	ANGLE
±0.20	±0.40	±0.50	±1.50	±2°

Electrical

Insulation resistance: 500 MΩ
 Dielectric withstanding voltage: 1000 V
 DC current rating: 1.5 Amps
 DC resistance: 0.1Ω
 Contact resistance: 20mΩ



Scale	3:4	ALL COPY RIGHTS RESERVED	
3rd Angle Projection		NET MECHANISM Corp www.cabling-ol.net	
Unit	mm	PART NUMBER	
Material		SMBX-C6-4	
Color		Drawn by	Checked by
Date	2006/6/6	Rico	