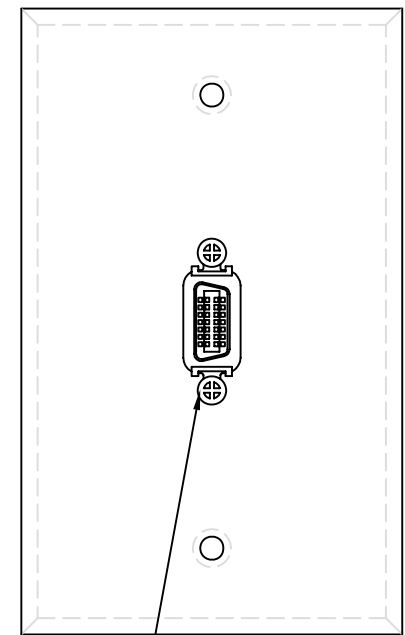
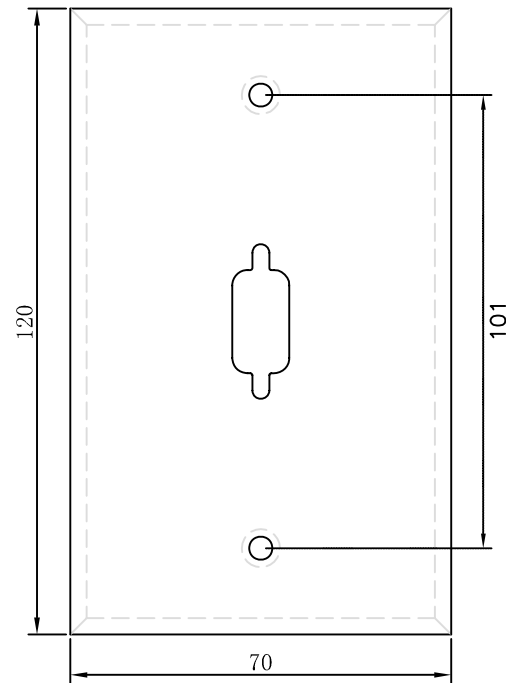
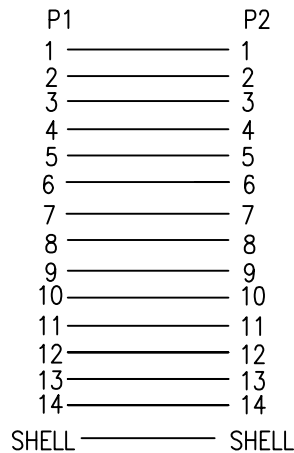
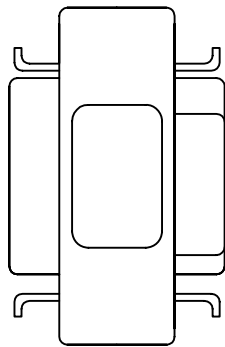
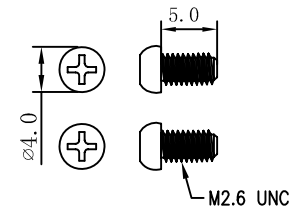


SCREW-A(2PCS)



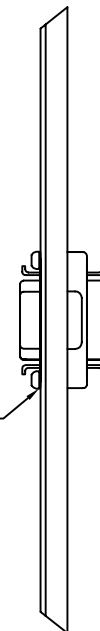
M2.6 UNC SCREW(X2)

JPBKFP-HD15



SCREW-B(2PCS)

M2.6 SCREW AND WASHER



ASSEMBLY DRAWING

NOTE:

- CONN:P1,P2 HPCN14 FEMALE,PIN:G/F,INSULATION BLACK, SHELL GOLD PLATED
- PCB: 9.3*16*1.35MM
- MOLD BLACK ABS.
- 120 JP METAL FACEPLATE: HD15F, STAINLESS STEEL, THICKNESS:0.8MM.
- SCREW-A: M3.5 (PITCH: 0.6MM) , L=6MM, NICKEL PLATED.
SCREW-B: M2.6 NUC, NICKEL PLATED
- TESTING:100% ELECTRICAL TESTING

| | | | | |
|--------------------|----------|---------|-----|---|
| NET MECHANISM Corp | | | | |
| www.cabling-ol.net | | | | |
| SCALE | NONE | | REV | A |
| UNIT | MM | | | |
| SHEET | 1/1 | DWG NO. | | |
| DATE | 06/17/11 | | | |
| TITLE | | | | |
| HPCN14 ADAPTER | | | | |
| PART NO. | | | | |
| WPAD-MJ-DT | | | | |