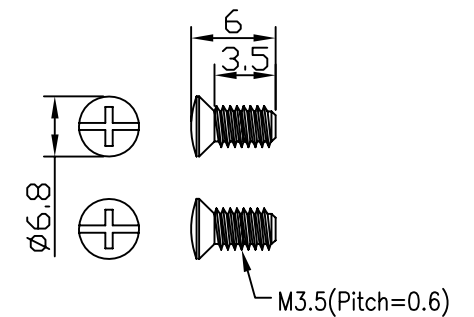
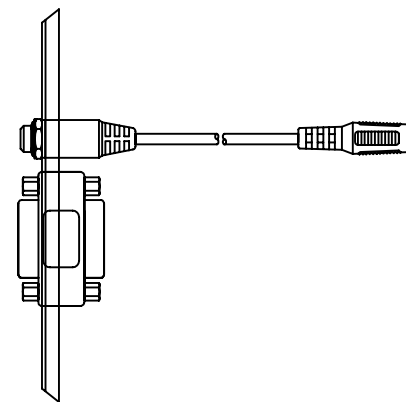
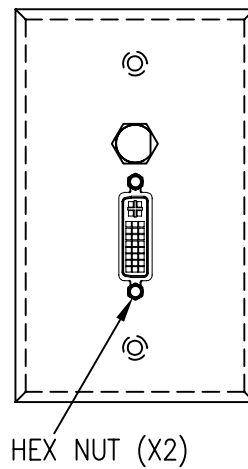
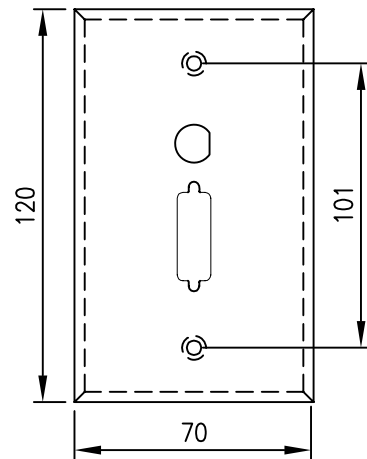


PIN OUT

| P3 | P4 |
|----|----------|
| 1 | 1 RED |
| 2 | 2 WHITE |
| 3 | 3 SPIRAL |



SCREW(2PCS)

JPBKFP-DVID-35F

ASSEMBLY DRAWING

NOTES:

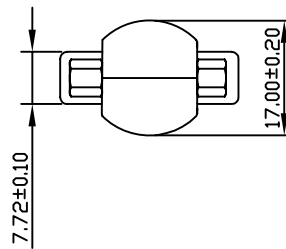
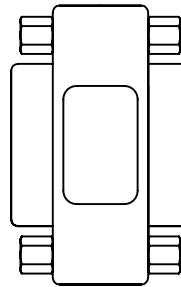
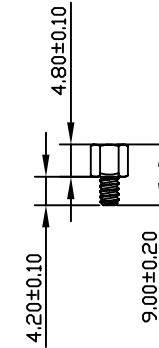
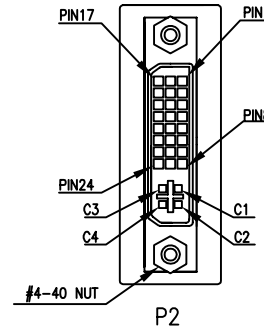
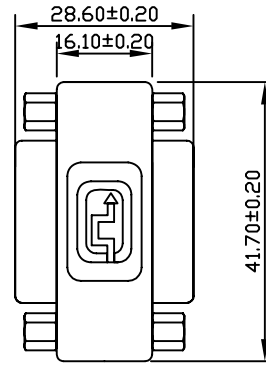
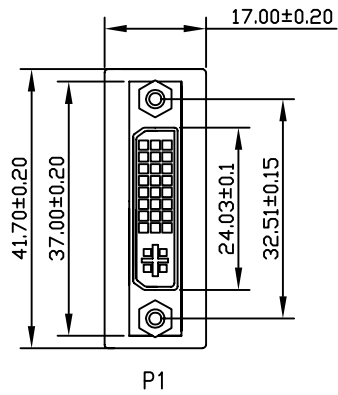
1. CABLE:NO-UL, 26AWG*2C+SPIRAL SHIELD,BLACK PVC JACK,OD:3.0±0.15mm.
2. CONNECTOR:P3: DC3.5mm STEREO JACK, NICKEL PLATED SHELL, WITH HEX NUT AND WASHER.
P4:DC3.5mm STEREO JACK,SOLDER TYPE,BLACK INSULATION,NICKEL PLATED SHELL.
3. 120 JP METAL FACEPLATE: 3.5ST JACK+DVI, STAINLESS STEEL, THICKNESS:0.8MM.
4. SCREW: M3.5 (PITCH: 0.6MM) , L=6MM, NICKEL PLATED.
5. HOOD: MOLDED BLACK 45P PVC.
6. TESTING: 100% ELECTRICAL TESTING.
7. MOLD NO.:DC35-01,DC35F-01.

NET MECHANISM Corp
www.cabling-ol.net

| | | | | |
|-------|----------|---------|-----|---|
| SCALE | NONE | | REV | A |
| UNIT | MM | | | |
| SHEET | 2/2 | DWG NO. | | |
| DATE | 11/23/10 | | | |

TITLE
DVI AND DC3.5 JACK ADAPTER FACEPLATE

PART NO. WPAD-MJ-DVI-35A



PIN OUT

| P1 | P2 | P1 | P2 |
|----|----|-------|-------|
| 1 | 1 | 16 | 16 |
| 2 | 2 | 17 | 17 |
| 3 | 3 | 18 | 18 |
| 4 | 4 | 19 | 19 |
| 5 | 5 | 20 | 20 |
| 6 | 6 | 21 | 21 |
| 7 | 7 | 22 | 22 |
| 8 | 8 | 23 | 23 |
| 9 | 9 | 24 | 24 |
| 10 | 10 | C1 | C1 |
| 11 | 11 | C2 | C2 |
| 12 | 12 | C3 | C3 |
| 13 | 13 | C4 | C4 |
| 14 | 14 | C5 | C5 |
| 15 | 15 | SHELL | SHELL |

NOTES:

- CONNECTOR:P1,P2 DVI 24+5 FEMALE,PIN:G/F,INSULATION WHITE, ZINC ALLOY FOR SHELL.WITH 2PCS #4-40 NUT.
- PCB:PCB-E09-180D-A;PCB-E09-180D-B.
- HOOD: MOLDED 25P PVC (WH-02).
- TESTING: 100% ELECTRICAL TESTING.
- MOLD NO.:E09-01,E09-N01.

| | | | | |
|--|----------|---------|-----|---|
| NET MECHANISM Corp www.cabling-ol.net | | | | |
| SCALE | NONE | | REV | A |
| UNIT | MM | | | |
| SHEET | 1/2 | DWG NO. | | |
| DATE | 11/23/10 | | | |
| TITLE | | | | |
| DVI AND DC3.5 JACK ADAPTER FACEPLATE | | | | |
| PART NO. | | | | |
| WPAD-MJ-DVI-35A | | | | |