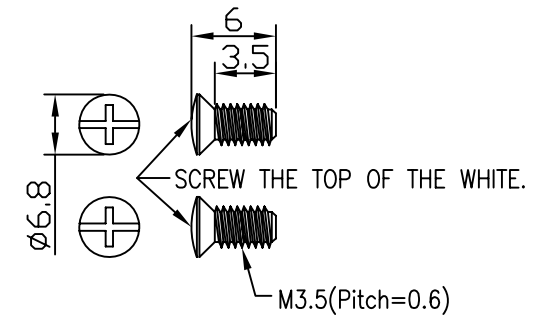
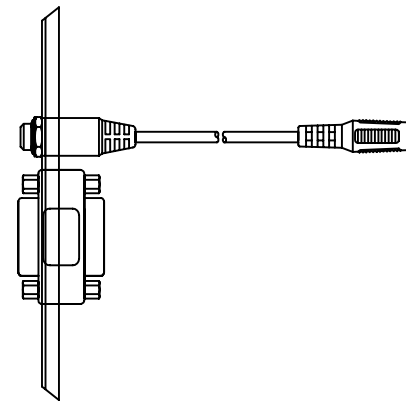
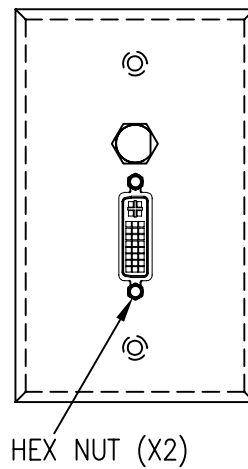
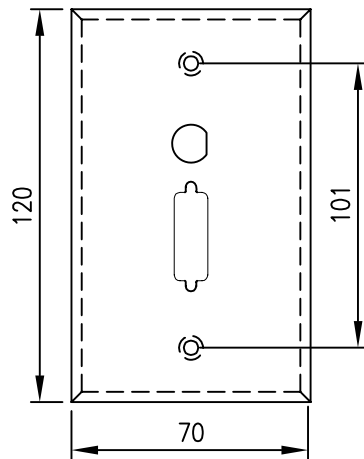


PIN OUT

P3	P4
1	1 RED
2	2 WHITE
3	3 SPIRAL



SCREW(2PCS)

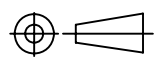
JPPF-DVID-35F

ASSEMBLY DRAWING

NOTES:

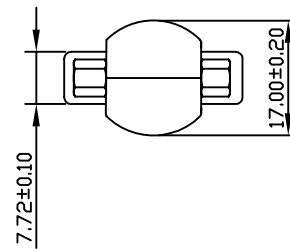
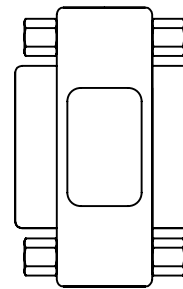
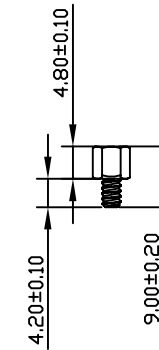
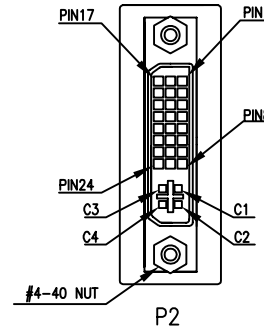
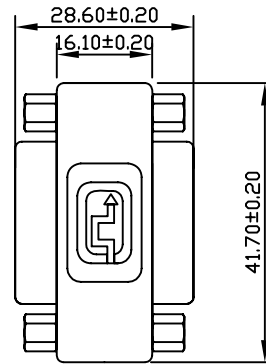
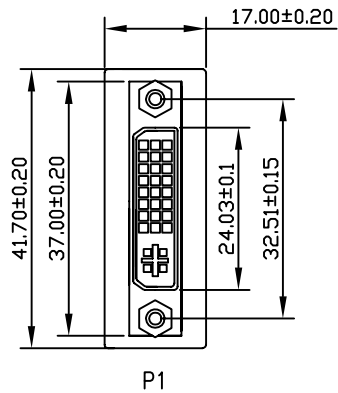
1. CABLE:NO-UL, 26AWG\*2C+SPIRAL SHIELD,BLACK PVC JACK,OD:3.0±0.15mm.
2. CONNECTOR:P3: DC3.5mm STEREO JACK, NICKEL PLATED SHELL, WITH HEX NUT AND WASHER.  
P4:DC3.5mm STEREO JACK,SOLDER TYPE,BLACK INSULATION,NICKEL PLATED SHELL.
3. 120 JP METAL FACEPLATE: 3.5ST JACK+DVI, STAINLESS STEEL, THICKNESS:0.8MM. COATING: WHITE.
4. SCREW: M3.5 (PITCH: 0.6MM) , L=6MM, NICKEL PLATED. SCREW THE TOP OF THE WHITE.
5. HOOD: MOLDED BLACK 45P PVC.
6. TESTING: 100% ELECTRICAL TESTING.
7. MOLD NO.:DC35-01,DC35F-01.

NET MECHANISM Corp  
www.cabling-ol.net

SCALE	NONE		REV	A
UNIT	MM			
SHEET	2/2	DWG NO.		
DATE	11/23/10			

TITLE  
DVI AND DC3.5 JACK ADAPTER FACEPLATE

PART NO. WPAD-WH-DVI-35A



PIN OUT

P1	P2	P1	P2
1	1	16	16
2	2	17	17
3	3	18	18
4	4	19	19
5	5	20	20
6	6	21	21
7	7	22	22
8	8	23	23
9	9	24	24
10	10	C1	C1
11	11	C2	C2
12	12	C3	C3
13	13	C4	C4
14	14	C5	C5
15	15	SHELL	SHELL

NOTES:

- CONNECTOR:P1,P2 DVI 24+5 FEMALE,PIN:G/F,INSULATION WHITE, ZINC ALLOY FOR SHELL.WITH 2PCS #4-40 NUT.
- PCB:PCB-E09-180D-A;PCB-E09-180D-B.
- HOOD: MOLDED 25P PVC (WH-02).
- TESTING: 100% ELECTRICAL TESTING.
- MOLD NO.:E09-01,E09-N01.

NET MECHANISM Corp www.cabling-ol.net				
SCALE	NONE		REV	A
UNIT	MM			
SHEET	1/2	DWG NO.		
DATE	11/23/10			
TITLE				
DVI AND DC3.5 JACK ADAPTER FACEPLATE				
PART NO.				
WPAD-WH-DVI-35A				