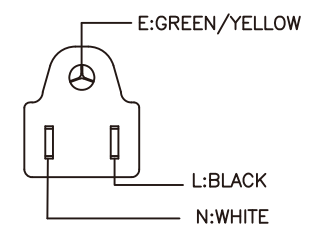
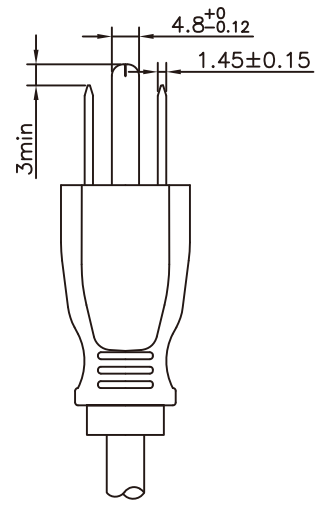
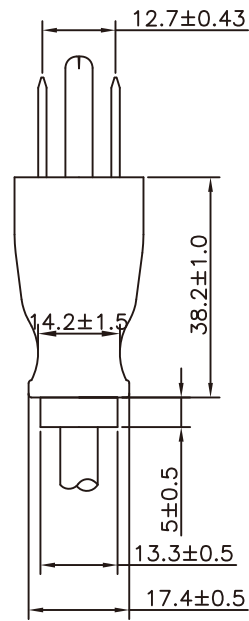
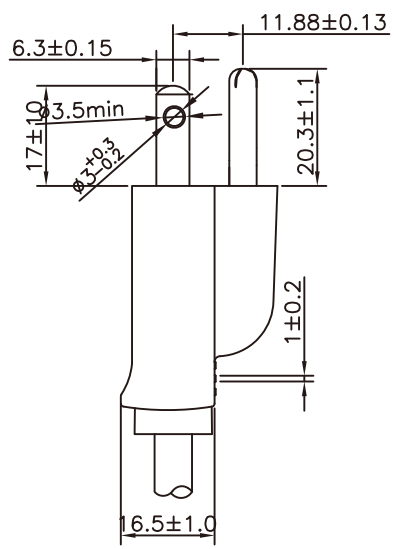
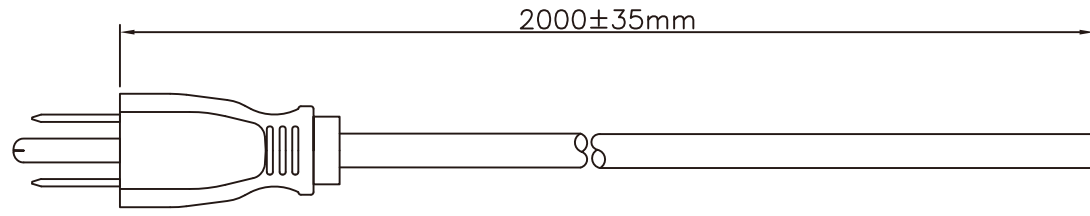
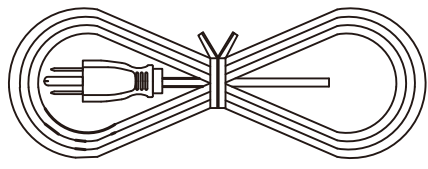


Point marking

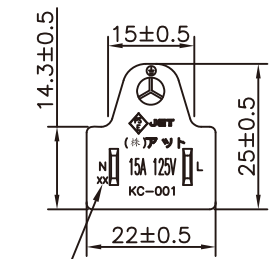


- 1.CABLE:VCTF 3*2.0mm² JACKET BLACK OD=ø8.5±0.1mm
- 2.PVC:88 A PVC BLACK
- 3.COLOR:BLACK
- 4.Tie:BLACK

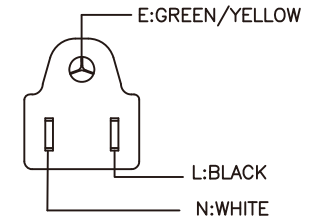
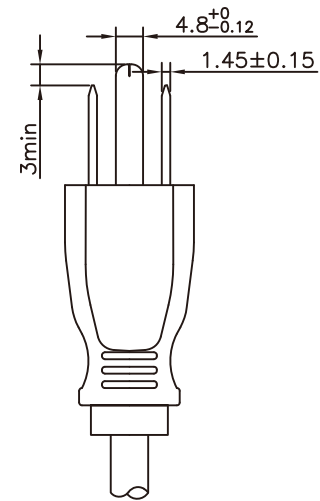
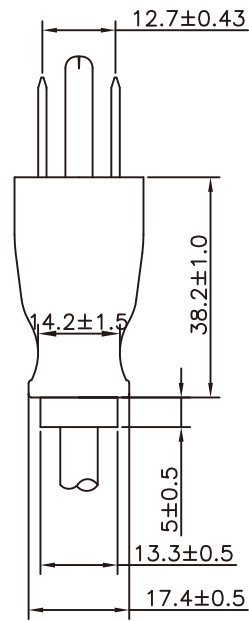
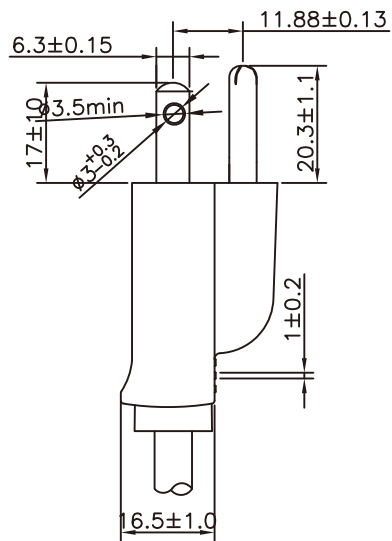
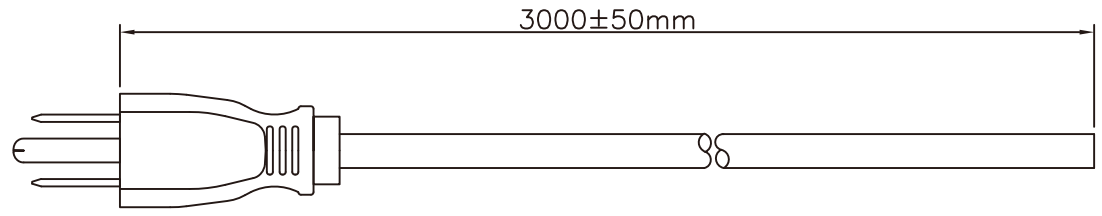


KC-001: JET

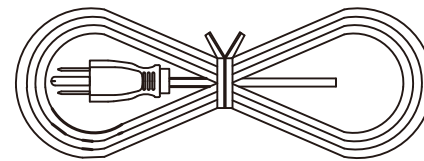
NET MECHANISM Corp				
www.cabling-ol.net				
SCALE	NONE		REV	A
UNIT	MM			
SHEET	1/1	DWG NO.KJ1001V200BR		
DATE	12/04/05			
TITLE				
PART NO.		ACJ-3P-15A-02		



Point marking



- 1.CABLE:VCTF 3*2.0mm² JACKET BLACK OD=ø8.5±0.1mm
- 2.PVC:88 A PVC BLACK
- 3.COLOR:BLACK
- 4.Tie:BLACK



KC-001:



NET MECHANISM Corp www.cabling-ol.net				
SCALE	NONE		REV	B
UNIT	MM			
SHEET	1/1	DWG NO.KJ1001V300BR		
DATE	12/11/16			
TITLE				
PART NO.		ACJ-3P-15A-03		