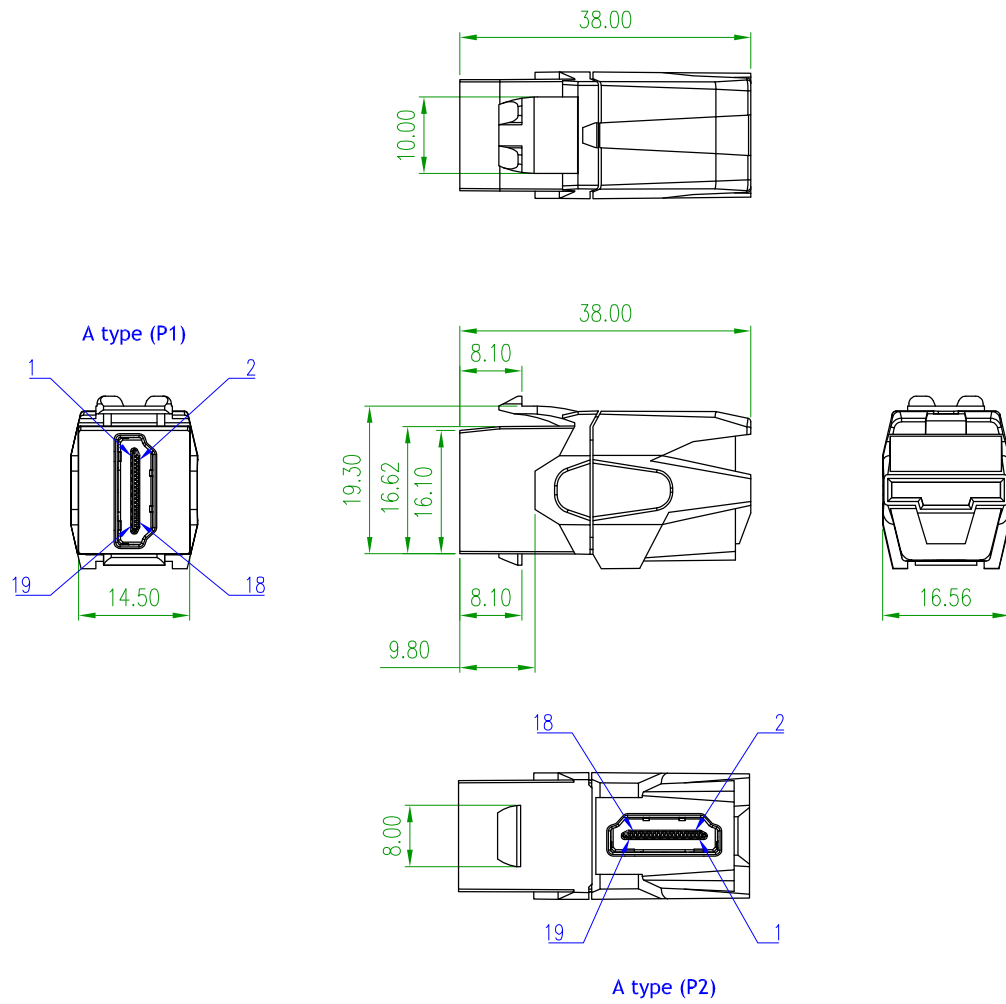
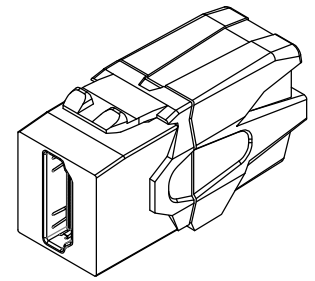


210HD05G2XX PIN ASSIGNMENT		
A type (P1)		A type (P2)
1		1
2		2
3		3
4		4
5		5
6		6
7		7
8		8
9		9
10		10
11		11
12		12
13		13
14		14
15		15
16		16
17		17
18		18
19		19
SHELL		SHELL



MATERIAL
Housing: ABS resin, UL94V-0
Insulator: Hi-temp plastic, UL94V-0
Contact: copper alloy, t=0.20mm
Shell: copper alloy, t=0.50mm
RoHS 2 compliant

PHYSICAL CHARACTERISTICS
Operating temperature range: -20°C to 85°C

ELECTRICAL
Contact current rating: 0.5 Amps
Dielectric withstanding voltage: AC 300V R.M.S
Insulation resistance: 100 MΩ min
Contact resistance: 30mΩ max

DRAWN BY		PART NO.		VER.			
APPROVED BY		210HD05G2XX		3			
UNIT: mm [inch]		CUSTOMER P/N.					
TOLERANCES:		DATE					
3	Add pin assignment	2019.07.24	-20	-50	-150	150-	ANGLE
2	Change HDMI Core	2018.10.18	±0.2	±0.4	±0.5	±1.5	±2°
1	First edition	2013.03.08	2019.07.24		SCALE	SHEET	
REV.	DESCRIPTION	DATE	2019.07.24		X	1/1	

3	Add pin assignment	2019.07.24	-20	-50	-150	150-	ANGLE
2	Change HDMI Core	2018.10.18	±0.2	±0.4	±0.5	±1.5	±2°
1	First edition	2013.03.08	2019.07.24		SCALE	SHEET	
REV.	DESCRIPTION	DATE	2019.07.24		X	1/1	

