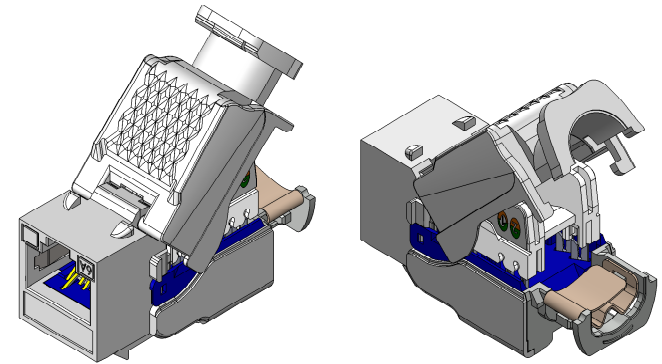


Material

- Housing: Zinc Alloy, Nickel Plated
- Spring Wire: Phosphor bronze 0.35t, plated with 50u" gold at contact area over 60u" nickel undercoat
- PCB: FR4
- IDC Terminals: Phosphor bronze 0.5t, plated with Ni/Sn 60u"
- Wire Organizer : ABS UL94V-0 flame retardancy



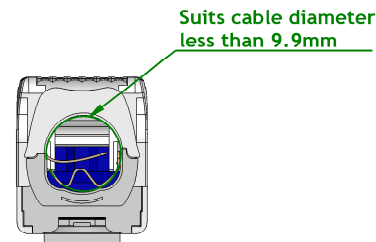
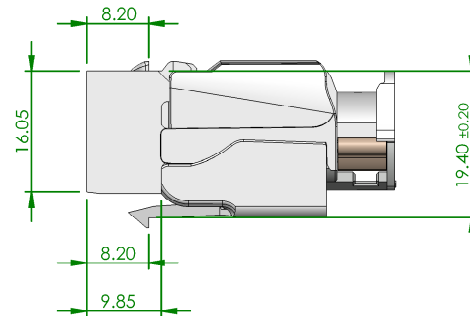
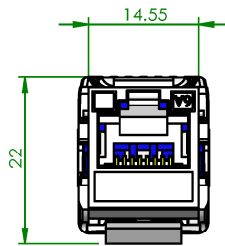
Wire Range

- Suits for: SFTP/FFTP/FUTP26AWG Stranded - 23AWG Solid
- Insulation Diameters: 0.8mm - 1.47mm
- Cable Diameters: 5mm - 9.9mm

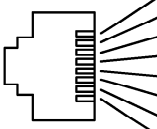
Accessories

- Nylon Cable Tie: 1pc

RoHS



ANSI/TIA-568-C.2
Category 6A Connecting Hardware

PIN ASSIGNMENT	T568B	T568A
	1 WHITE/ORANGE	WHITE/GREEN
	2 ORANGE	GREEN
	3 WHITE/GREEN	WHITE/ORANGE
	4 BLUE	BLUE
	5 WHITE/BLUE	WHITE/BLUE
	6 GREEN	ORANGE
	7 WHITE/BROWN	WHITE/BROWN
	8 BROWN	BROWN

DRAWN BY Nick Liu		Description LKVAS Die-Cast TIA-C6A Shielded Keystone Jack	
APPROVED BY Kevin Wu		DWG. NO. 3013ALKVAS6A_141	
DIMENSIONS ARE MM [IN]		REV.	
TOLERANCES:		CUSTOMER PARTS NO.	
-20 ±0.2	-50 ±0.4	~150 ±0.5	150- ±1.5
ANGLE ±2°		DATE 2019/01/21	
3rd Angle Projection		SCALE 1:1	SHEET 3/5

REV.	DESCRIPTION	DATE