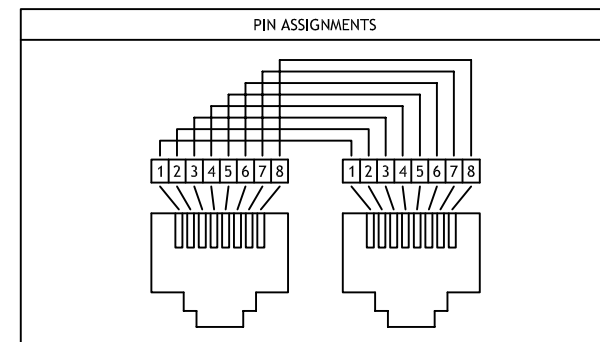
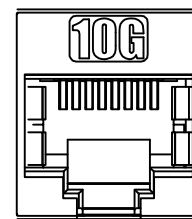


MATERIAL
 Jack contacts: phosphor bronze, 50 μ" gold plated
 Shielded case: brass, nickel plated
 Coupler housing: ABS, UL94V-0
 Contact holder: PC, UL94V-0
 RoHS 2 compliant

PHYSICAL CHARACTERISTICS
 Insertion life: 750 mating cycles with FCC compliant 8P plug
 Contact force: 100 grams with FCC compliant 8P plug
 Operating temperature range: -10°C to 60°C
 Storage temperature range: -40°C to 68°C
 Humidity: 10%-90%RH

ELECTRICAL
 Insulation resistance: 500 MΩ
 Dielectric withstanding voltage: 1000 V AC
 DC current rating: 1.5 Amps
 DC resistance: 0.1 Ω
 Contact resistance: 20mΩ

NOTE
 Only accept RJ-45 8P8C plug



DRAWN BY Kihai Lee		PART NO. 3013AMISLQF6A		VER. 2
APPROVED BY Kevin Wu		CUSTOMER P/N.		
UNIT: mm [inch] TOLERANCES:		DATE 2019.05.21		
-20	-50	-150	150-	ANGLE
±0.2	±0.4	±0.5	±1.5	±2°
3rd Angle Projection		SCALE X		SHEET 1/1

REV.	DESCRIPTION	DATE
2	Add pin assignment	2019.05.21
1	First edition	2018.10.26