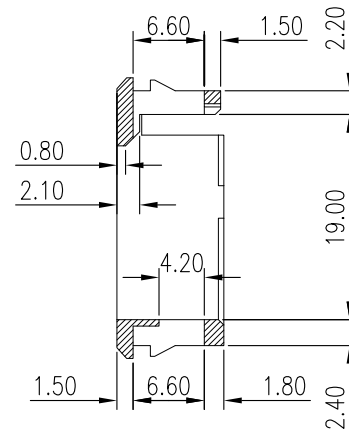
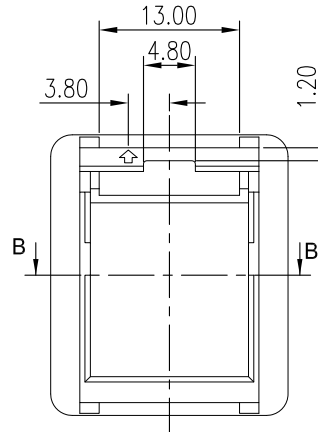
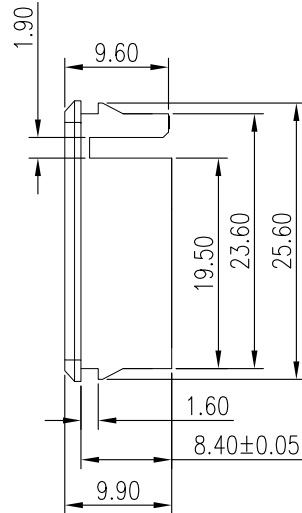
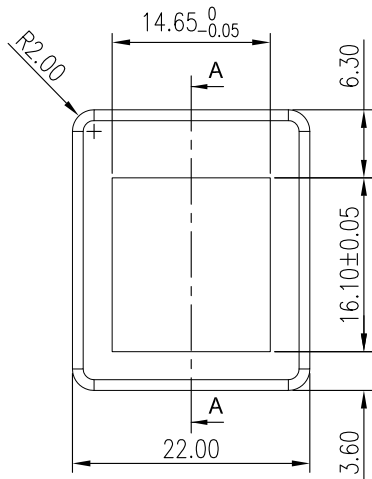
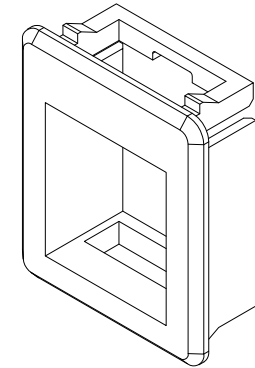
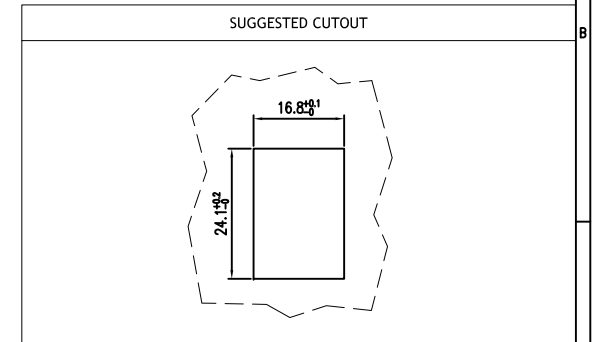
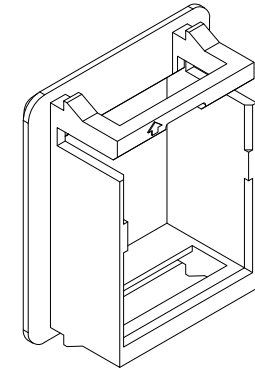


SECTION B-B



SECTION A-A



MATERIAL  
Housing: High-impact Polycarbonate (PC resin), UL 94 V-0 rated  
RoHS compliant

**UL**  
LISTED  
41VN COMMUNICATIONS CIRCUIT  
E160607 ACCESSORIES

DRAWN BY Ethan Wu		TITLE OUTLETS, FACEPLATES & ACCESSORIES	
APPROVED BY Jerry Su		DWG. NO. 3013BUS12XX	REV. 2
DIMENSIONS ARE MM [IN] TOLERANCES:		CUSTOMER PARTS NO.	
~20 ±0.2	~50 ±0.4	~150 ±0.5	ANGLE 2°
3rd Angle Projection		DATE 2013.02.18	SCALE X
		SHEET 1/1	