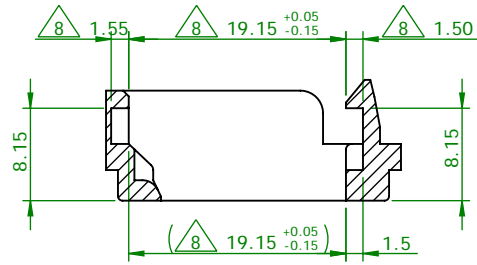
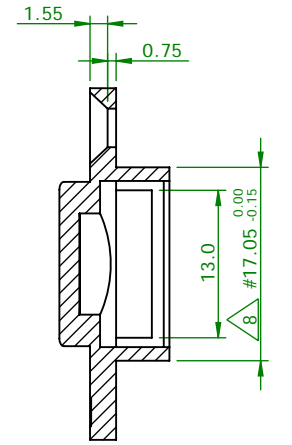
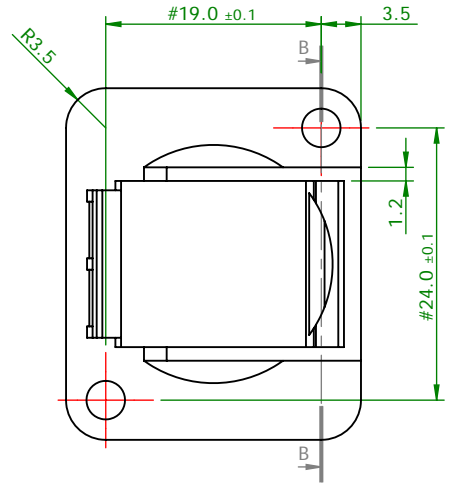
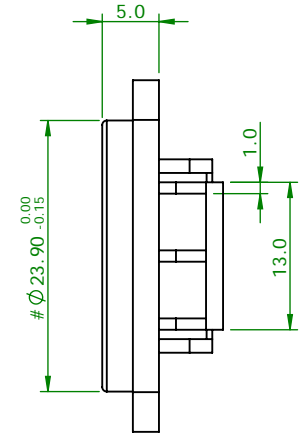
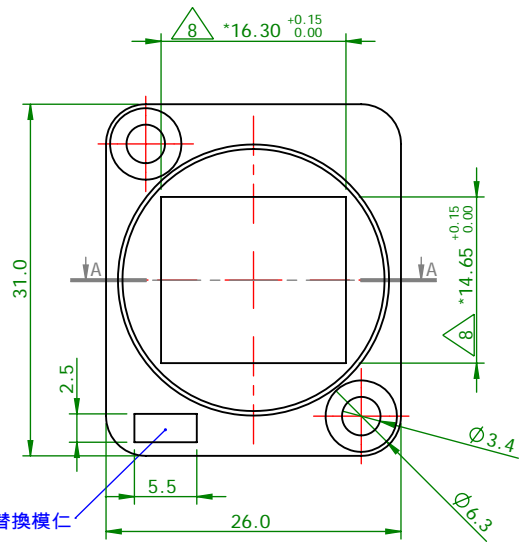
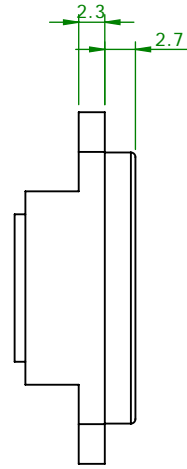
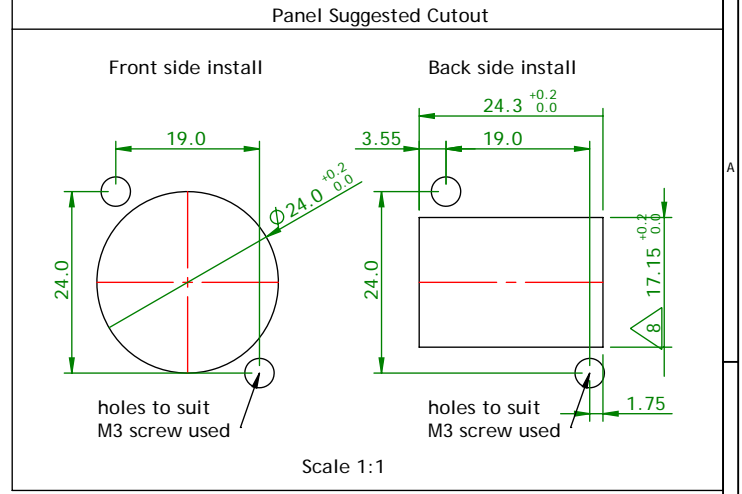
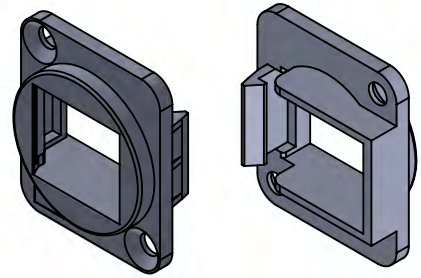


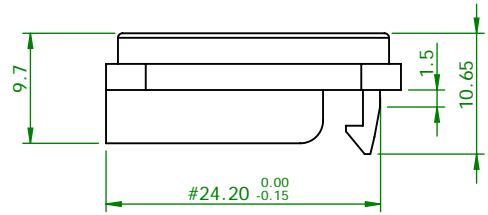
Reference Only



Section A-A



Section B-B



MATERIAL  
Frame: PC, UL94V-0  
RoHS 2 compliant

DRAWN BY					PART NO. 3013BUSXLRBK			REV. A8					
APPROVED BY													
UNIT: mm [inch]					CUSTOMER P/N.								
TOLERANCES:													
-20	-50	-150	150~	ANGLE	DATE 2019/10/24								
±0.2	±0.4	±0.5	±1.5	±2°									
REV.		DESCRIPTION		DATE		3rd Angle Projection		DATE		SCALE		SHEET	
						3		2019/10/24		3:2		1/1	