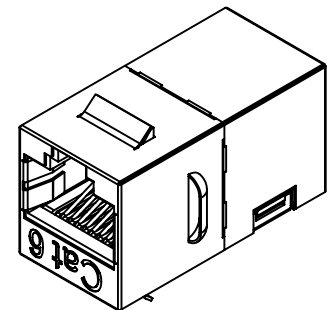
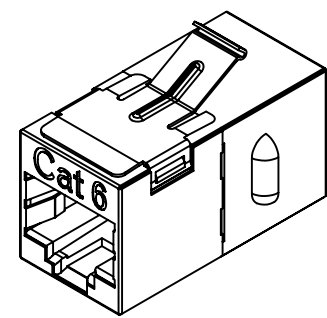
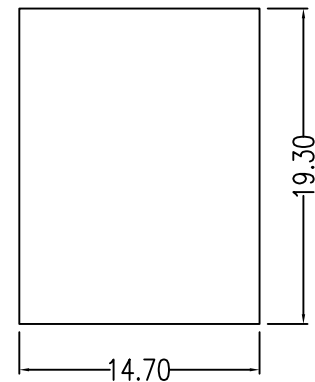
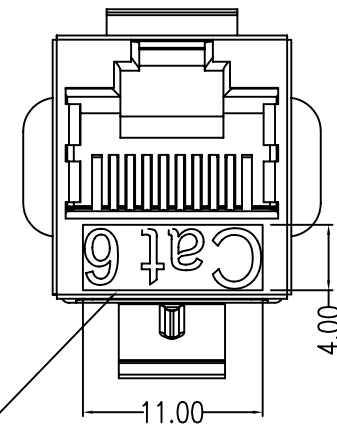
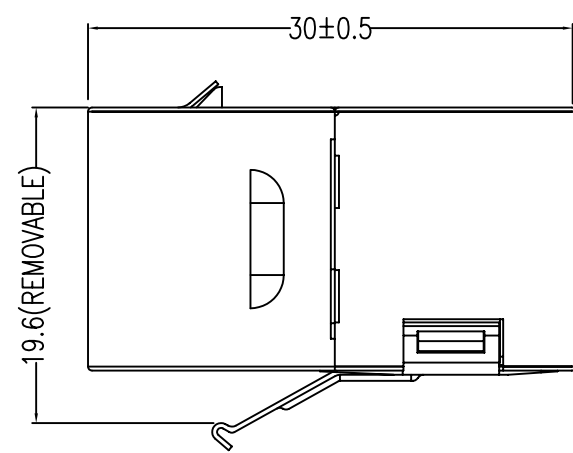
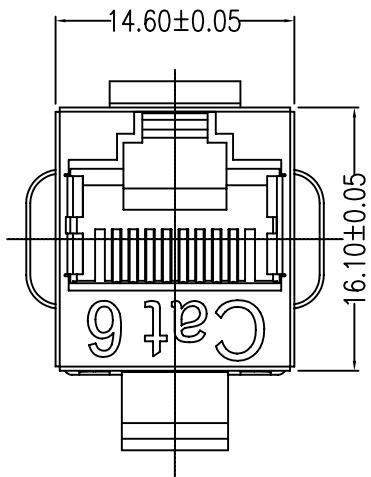


| REVISIONS |     |             |      |          |
|-----------|-----|-------------|------|----------|
| ZONE      | REV | DESCRIPTION | DATE | APPROVED |
|           | ▲   |             |      |          |
|           | ▲   |             |      |          |



Cat 6  
UL CERTIFIED



ACCORDING TO TIA/EIA-568-B.2-1  
REQUIREMENTS  
FILE NO.E145249

Suggested Panel Cutout

\* ROHS COMPLIANT

**MATERIAL**

Housing: ChiMei ABS PA-765A UL94V-0  
Spring Wire: Phosphor Bronze w/50u  
Gold over 100u Nickel undercoat  
PCB : GP FR-4 UL94V-0 Goldplated PCB  
Contact Holder : Dupont Zytel FR50  
Solder : Sn/Ag/Cu  
Shielded:Copper alloy with nickel plated.

**ELECTRICAL**

Current rating: 1.5 Amps  
Insulation resistance: 500 MOhm  
Contact resistance: 20 mOhm  
DC resistance: 0.1 Ohm  
Dielectric withstanding voltage: 1000 V

| COMMON TOLERANCE |           |       | SHEET OF |            | ALL COPY RIGHTS RESERVED |  |
|------------------|-----------|-------|----------|------------|--------------------------|--|
| CLASS            | A         | B     | SIZE     | A4         | NET MECHANISM CORP.      |  |
|                  | DIMENSION |       | DIA      | mm         | TITLE                    |  |
| L<=3             | ±0.05     | ±0.1  | SCALE    | 2:1        | AC6R-PS                  |  |
| 3<L<=6           | ±0.05     | ±0.1  | DATE     | 2004.02.10 | DRAWING NO.              |  |
| 6<L<=16          | ±0.1      | ±0.15 | DESIGN   |            | C-034-4                  |  |
| 16<L<=30         | ±0.1      | ±0.2  | DRAWN    |            | CHECKED                  |  |
| 30<L<=120        | ±0.15     | ±0.3  |          |            |                          |  |
| 120<L<=315       | ±0.2      | ±0.5  |          |            |                          |  |