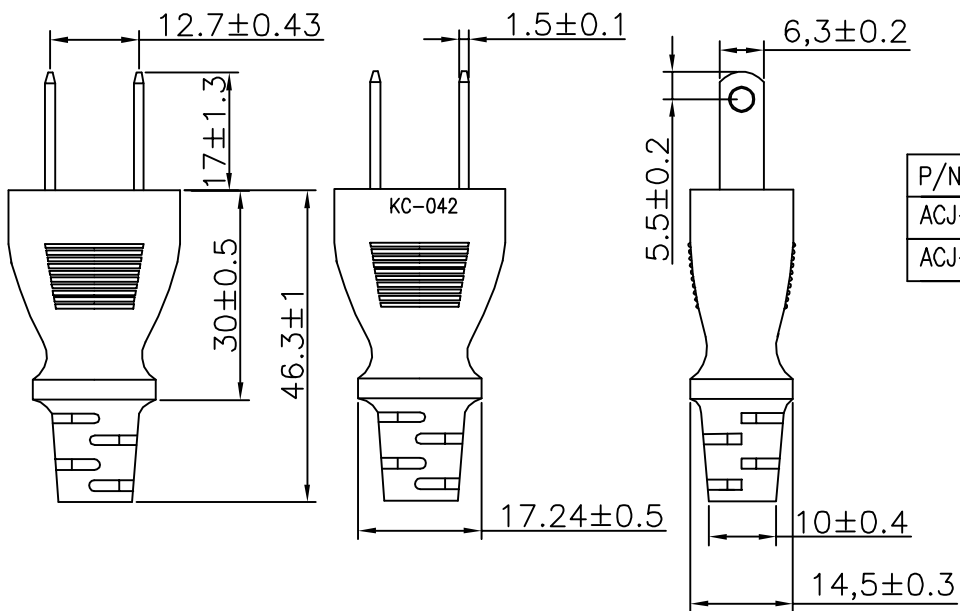
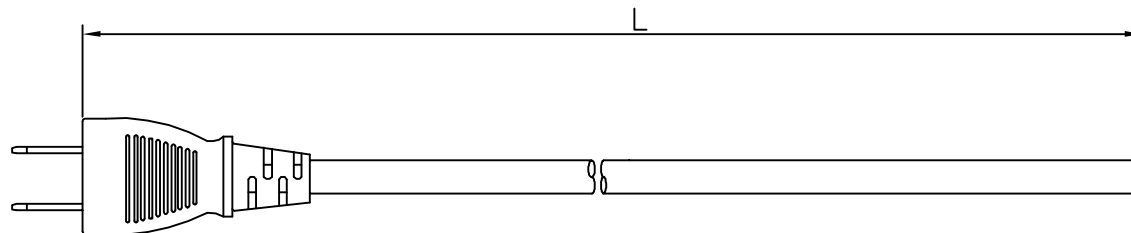
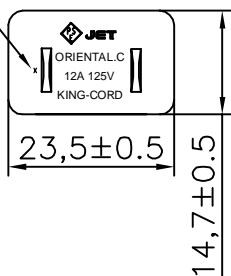
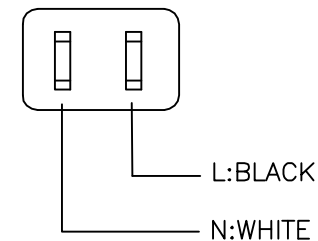


Point marking



P/N	L(MM)	TOLERANCE(MM)
ACJ-2P-WOG-12A-02	2000	±50
ACJ-2P-WOG-12A-03	3000	±50



KC-042: JET

- 1.CABLE:VCTFK 2\*1.25mm<sup>2</sup> JACKET BLACK OD=ø4.7\*7.4±0.1mm
- 2.PVC:88 A PVC BLACK
- 3.COLOR:BLACK
- 4.Tie:BLACK

NET MECHANISM Corp www.cabling-ol.net				
SCALE	NONE		REV	B
UNIT	MM			
SHEET	1/1	DWG NO.K42001QGXXXBR		
DATE	17/07/31			
TITLE				
PART NO.				