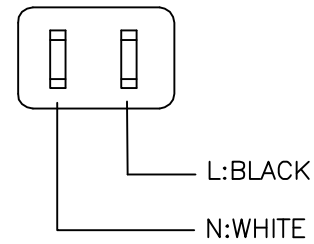
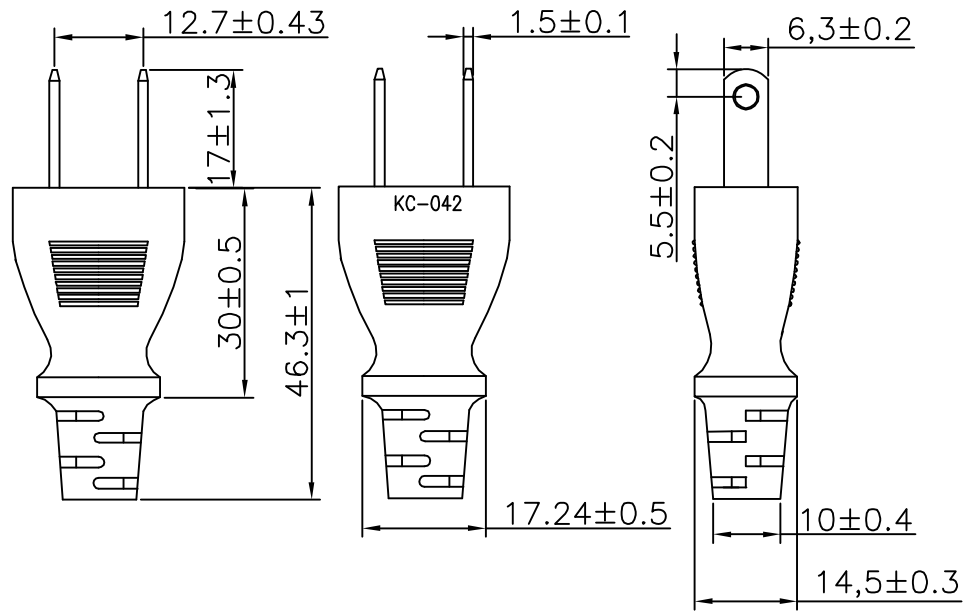
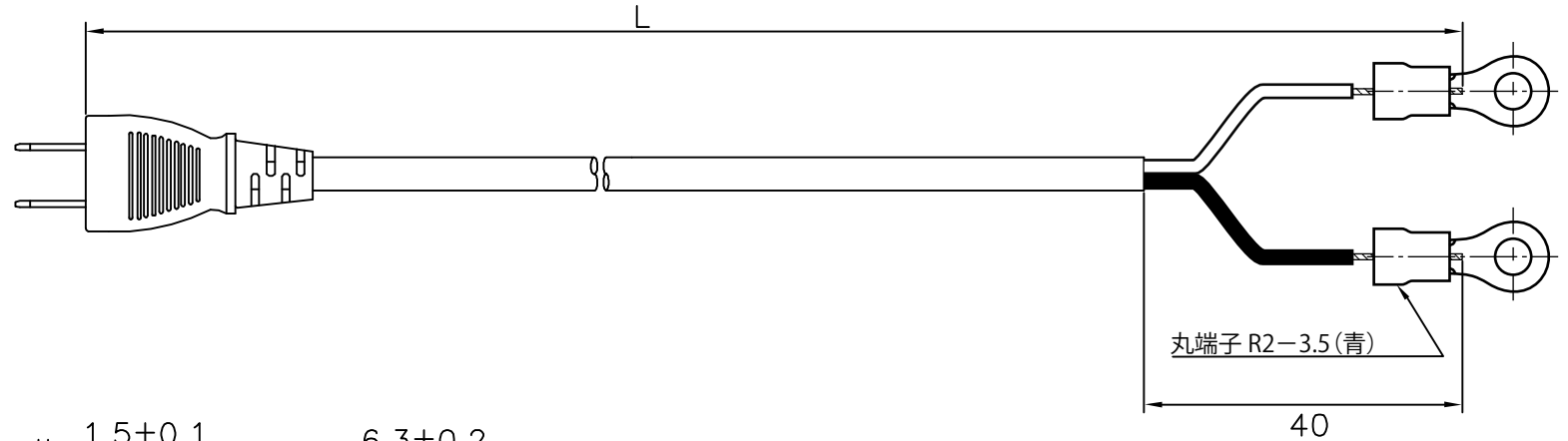
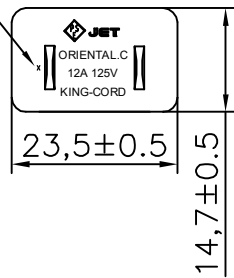

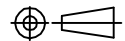


Point marking



KC-042: 

- 1.CABLE:VCTFK 2*1.25mm² JACKET BLACK OD=φ4.7*7.4±0.1mm
- 2.PVC:88 A PVC BLACK
- 3.COLOR:BLACK
- 4.Tie:BLACK

NET MECHANISM Corp www.cabling-ol.net				
SCALE	NONE		REV	B
UNIT	MM			
SHEET	1/1	DWG NO.K42001QGXXXBR		
DATE	17/07/31			
TITLE				
PART NO. ACJ-2P-WOG12A-ZR2-XX				