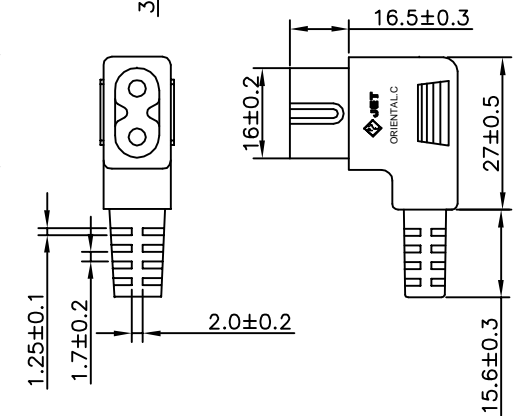
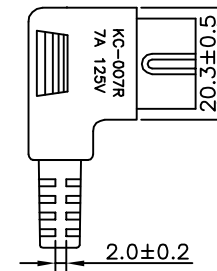
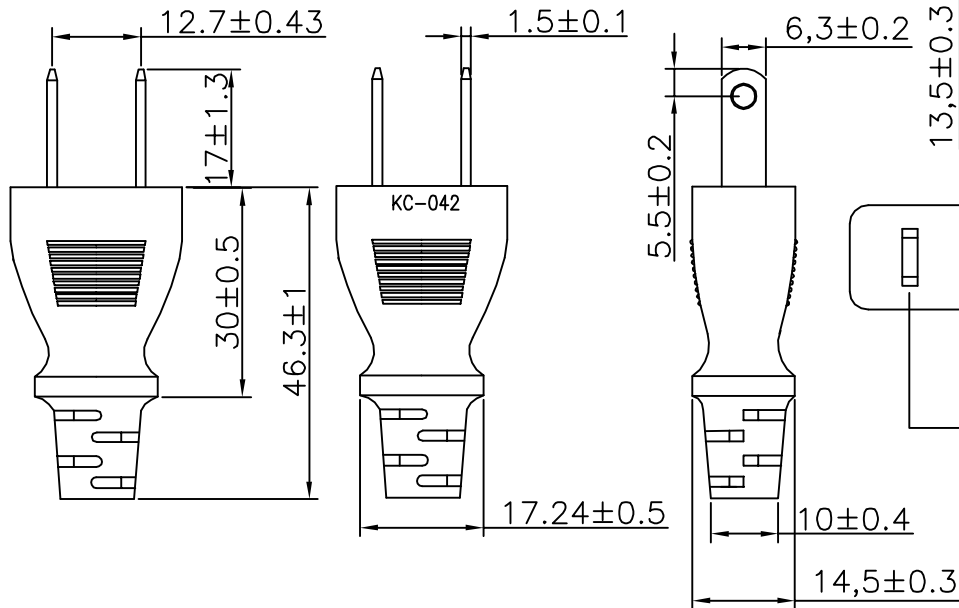
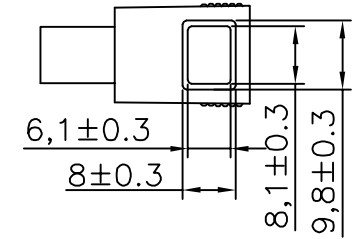
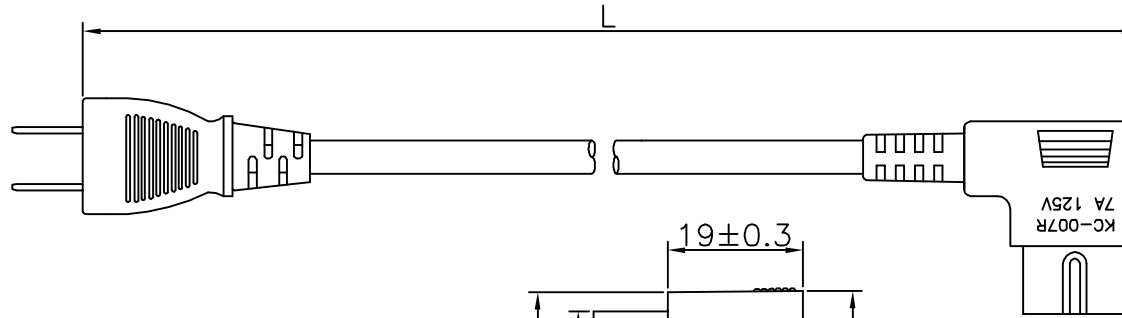
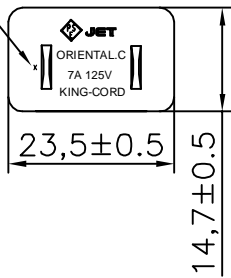


Point marking



KC-042:

KC-007R:

P/N	L(MM)	TOLERANCE(MM)
ACJ-2P2LS-WOG-02	2000	±50

- 1.CABLE:VCTFK 2*0.75mm² JACKET BLACK OD=ø4.3*6.6±0.1mm
- 2.PVC:88 A PVC BLACK
- 3.COLOR:BLACK
- 4.Tie:BLACK

NET MECHANISM Corp www.cabling-ol.net				
SCALE	NONE		REV	B
UNIT	MM			
SHEET	1/1	DWG NO.K427R1Q8XXXBR		
DATE	17/07/31			
TITLE				
PART NO.				