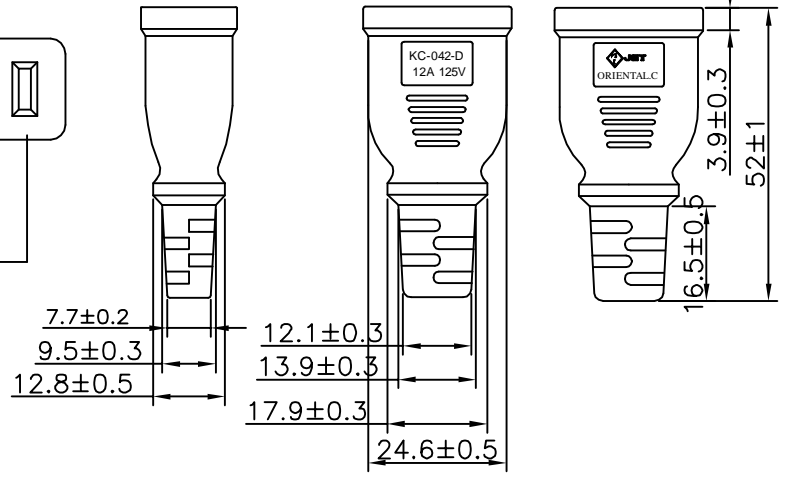
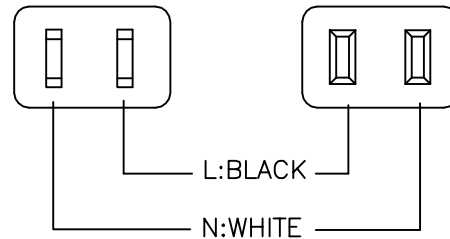
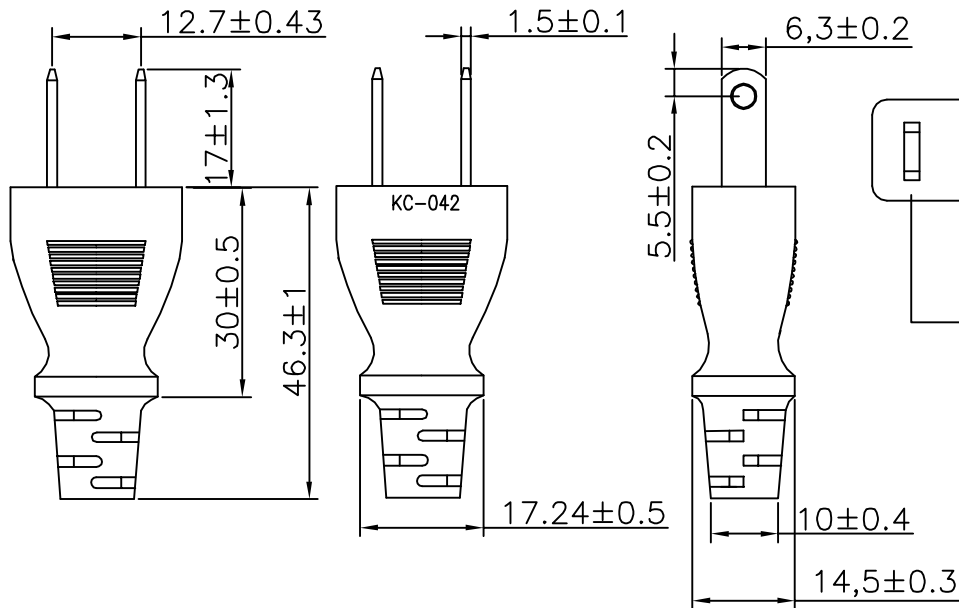
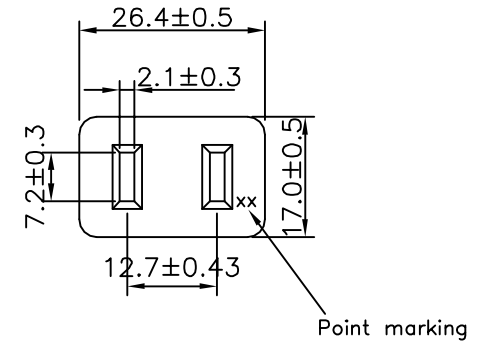
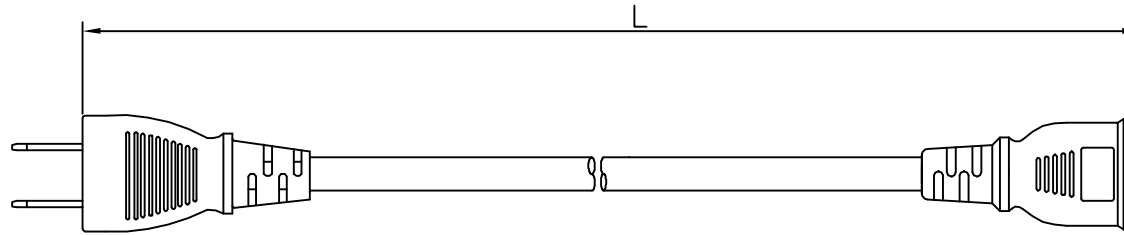
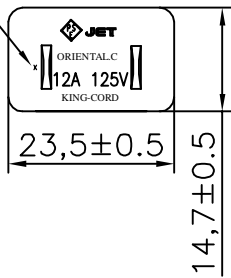


Point marking



P/N	L(MM)	TOLERANCE(MM)
ACJ-2P2S-12A-02	2000	± 50
ACJ-2P2S-12A-03	3000	± 50

- 1.CABLE:VCTFK 2*1.25mm² JACKET BLACK OD=ø4.7*7.4±0.1mm
- 2.PVC:88 A PVC BLACK
3. COLOR:BLACK
- 4.Tie:BLACK

KC-042: JET
 KC-042D: JET

NET MECHANISM Corp www.cabling-ol.net				
SCALE	NONE		REV	B
UNIT	MM			
SHEET	1/1	DWG NO.K424D1QGXXXBR		
DATE	17/09/01			
TITLE				
PART NO.				