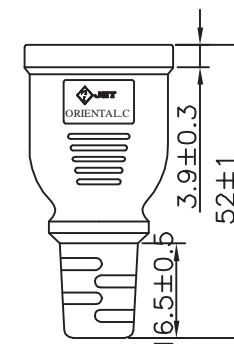
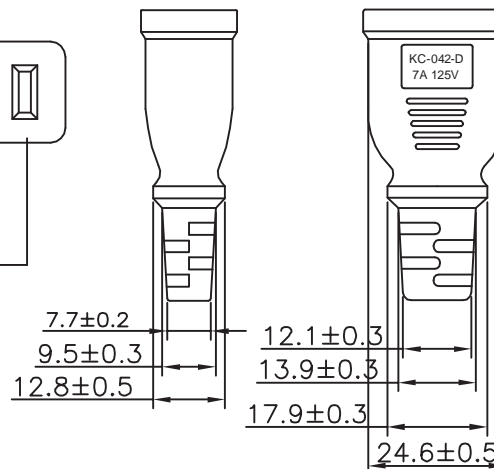
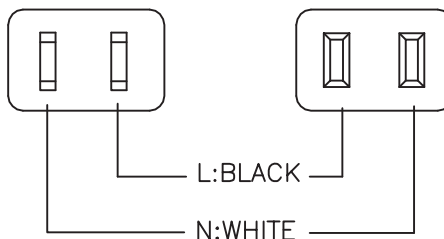
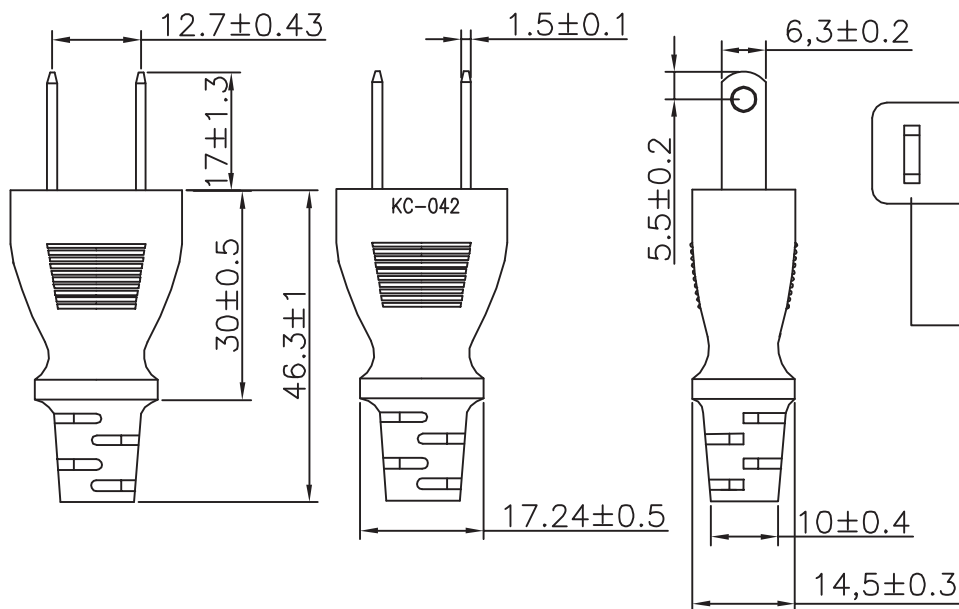
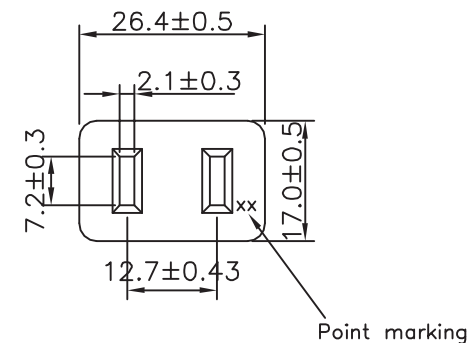
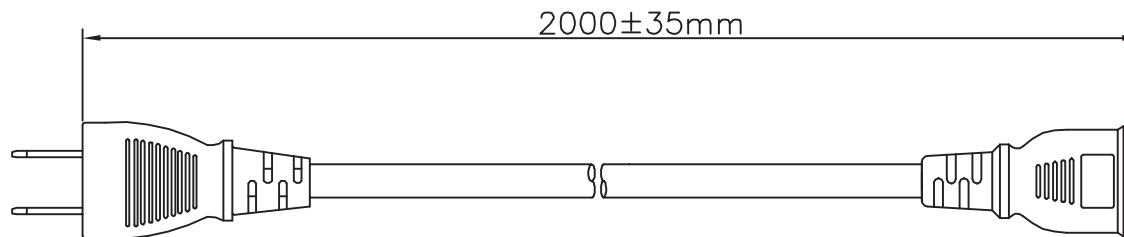
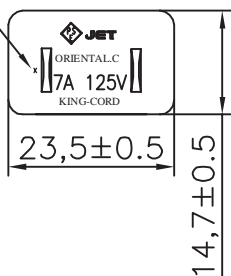


Point marking



KC-042: JET

KC-042D: JET

- 1.CABLE:VCTFK 2\*0.75mm<sup>2</sup> JACKET BLACK OD=ø4.3\*6.6±0.1mm
- 2.PVC:88 A PVC BLACK
- 3.COLOR:BLACK
- 4.Tie:BLACK

NET MECHANISM Corp www.cabling-ol.net				
SCALE	NONE		REV	B
UNIT	MM			
SHEET	1/1	DWG NO.K424D1Q8200BR		
DATE	17/07/18			
TITLE				
PART NO.		ACJ-2P2S-02		