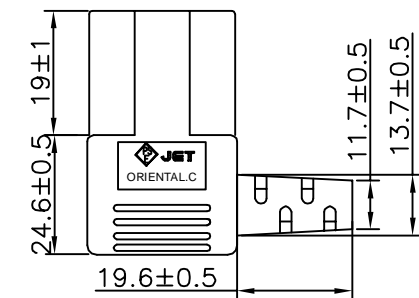
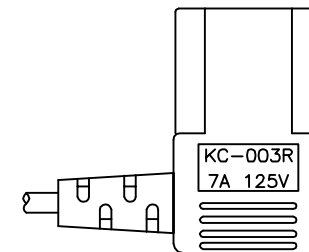
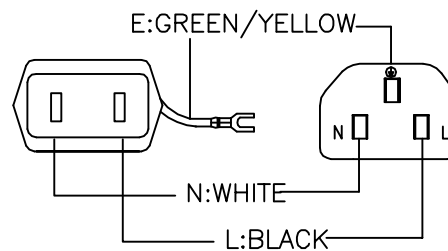
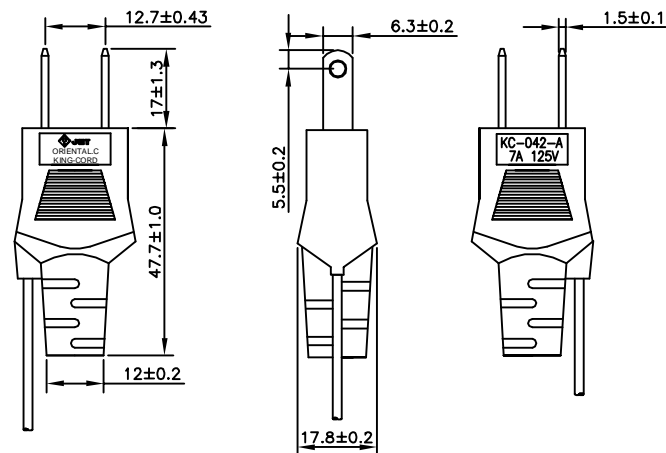
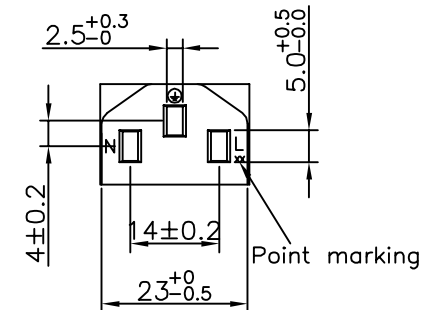


P/N	L(MM)	TOLERANCE(MM)
ACJ-2P3LS-02	2000	± 50
ACJ-2P3LS-03	3000	± 50



KC-042-A: JET

KC-003R: JET

- 1.CABLE:VCTF 3*0.75mm² JACKET BLACK OD= $\phi 7.0 \pm 0.1 \text{mm}$
- 2.PVC:88 A PVC BLACK
- 3.COLOR:BLACK
- 4.Tie:BLACK

NET MECHANISM Corp www.cabling-ol.net				
SCALE	NONE		REV	B
UNIT	MM			
SHEET	1/1	DWG NO.K4A3R1QCXXXBR-R		
DATE	17/07/31			
TITLE				
PART NO.				