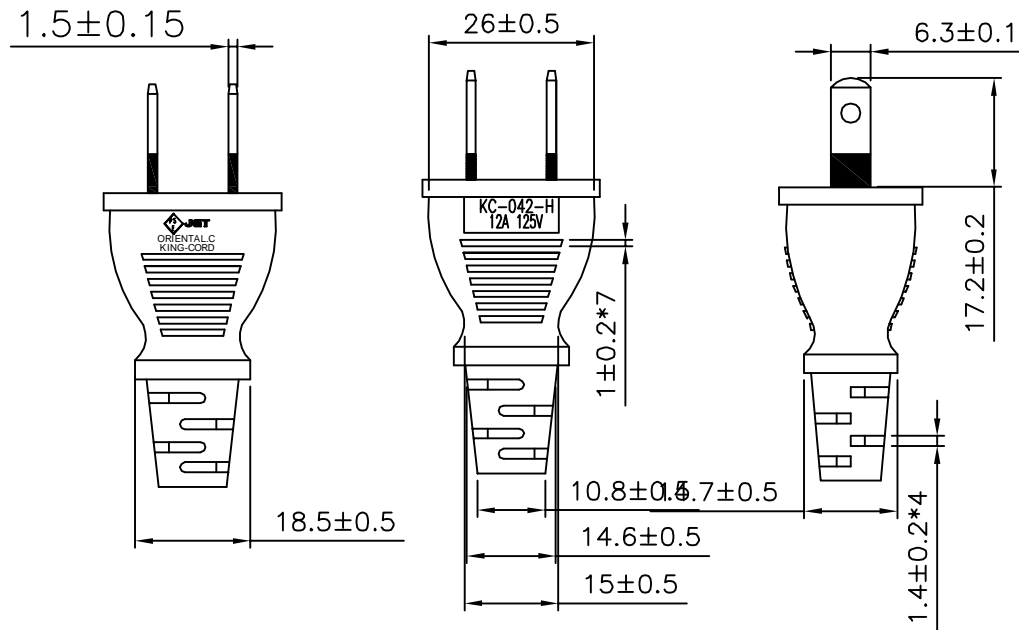
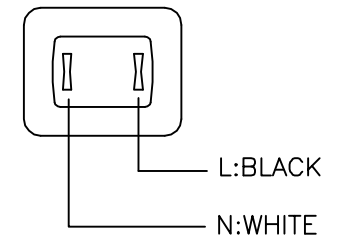
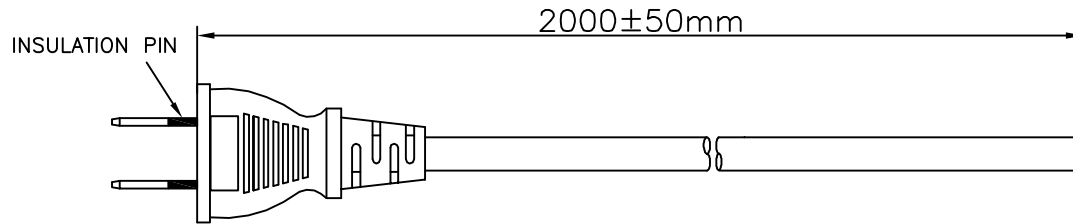
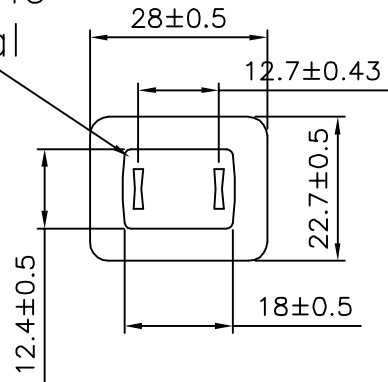

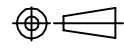


Melamine material



KC-042-H:  JET

- 1.CABLE:VCTFK 2\*1.25mm<sup>2</sup> JACKET BLACK OD=ø4.7\*7.4±0.1mm
- 2.PVC:88 A PVC BLACK
- 3.COLOR:BLACK
- 4.Tie:BLACK

NET MECHANISM Corp www.cabling-ol.net				
SCALE	NONE		REV	B
UNIT	MM			
SHEET	1/1	DWG NO.K4H001QG200BR-B		
DATE	17/07/31			
TITLE				
PART NO:ACJ-2TP-WOG-12A-02				