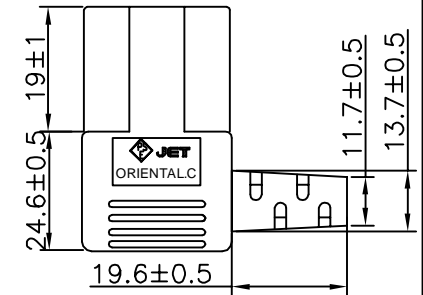
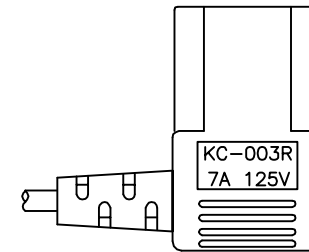
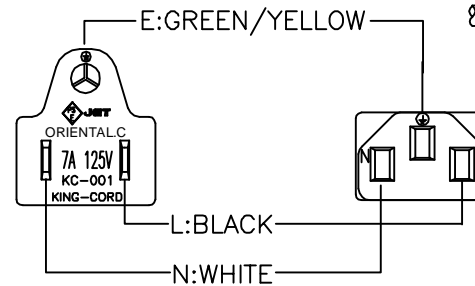
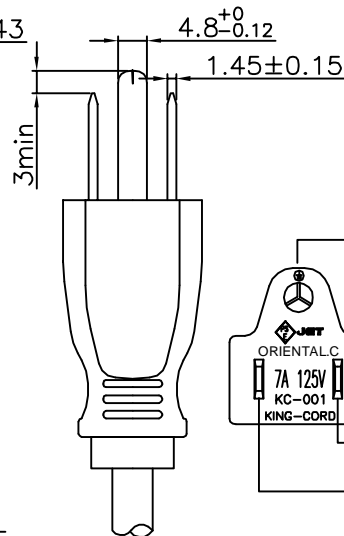
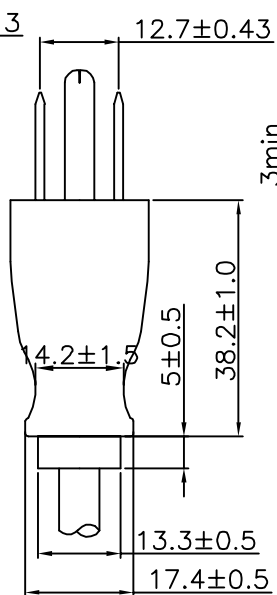
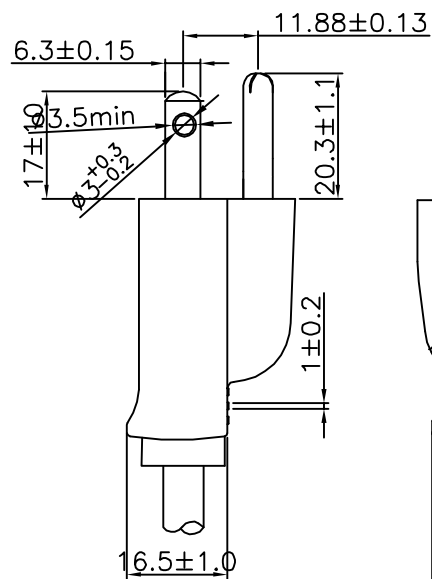


P/N	L(MM)	TOLERANCE(MM)
ACJ-3P3LS-02	2000	±50
ACJ-3P3LS-03	3000	±50



KC-001: JET

KC-003R: JET

- 1.CABLE:VCTF 3*0.75mm² JACKET BLACK OD=φ7.0±0.1mm
- 2.PVC:88 A PVC BLACK
- 3.COLOR:BLACK
- 4.Tie:BLACK

NET MECHANISM Corp www.cabling-ol.net				
SCALE	NONE		REV	B
UNIT	MM			
SHEET	1/1	DWG NO.KJ13R1QCXXBR-R		
DATE	17/07/31			
TITLE				
PART NO.ACJ-3P3LS-XX				