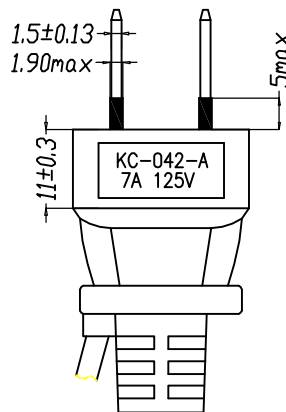
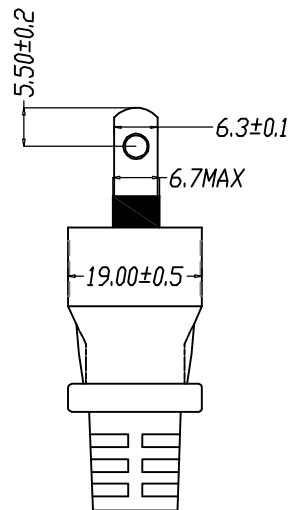
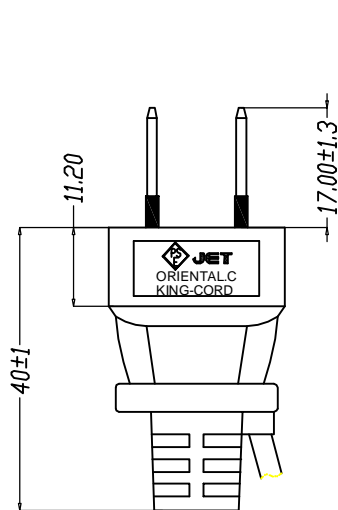
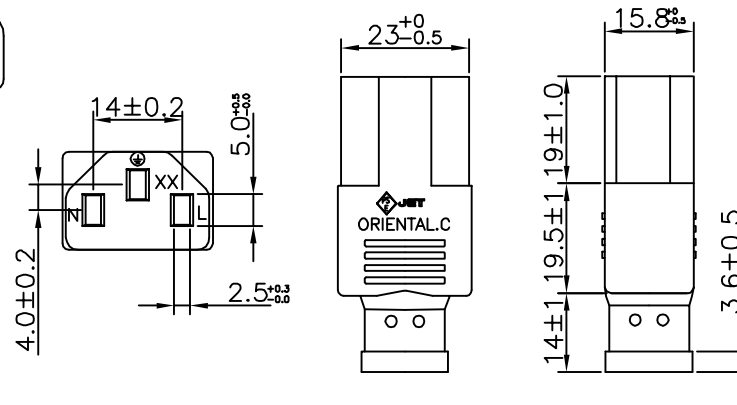
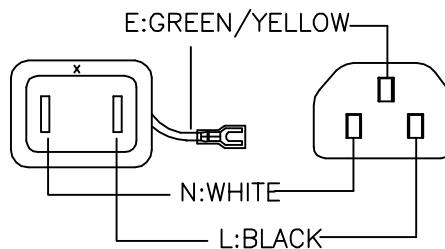
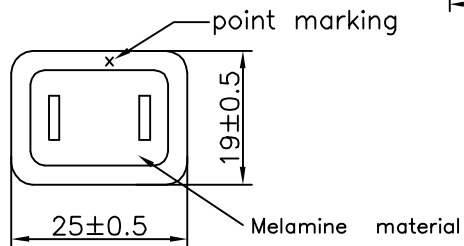
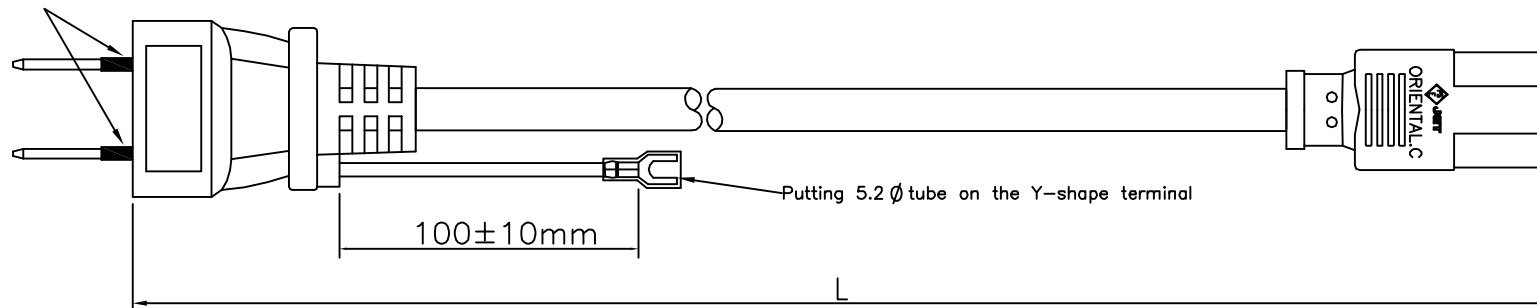


INSULATION PIN



KC-042-A: JET

KC-003: JET

1. CABLE: VCTF 3*0.75mm² JACKET GRAY OD= ϕ 7.0 \pm 0.1mm
2. PVC: 88 A PVC GRAY
3. COLOR: GRAY
4. Tie: WHITE

P/N	L(MM)	TOLERANCE(MM)
ACJG-2TPS-02	2000	\pm 50
ACJG-2TPS-03	3000	\pm 50

NET MECHANISM Corp www.cabling-ol.net				
SCALE	NONE		REV	B
UNIT	MM			
SHEET	1/1	DWG NO. K4AJ3FQCXXXWR-B-9		
DATE	17/07/27			
TITLE				
PART NO.		ACJG-2TPS-XX		