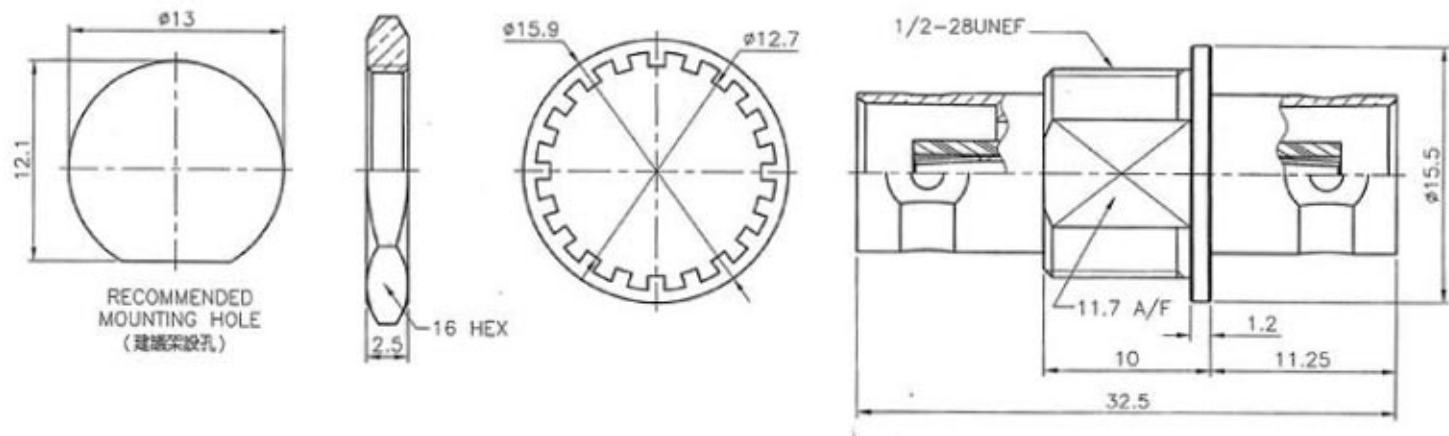


REVISIONS

ISS	SYMBOL	DESCRIPTION\DATE
A1		訂正型號 \03/30/07'
A2		更換零件 2, 訂正 NUT 的厚度 \06/27/07'

REMARK: RoHS COMPLIANT
(符合 RoHS)

FOR CUSTOMER



RECOMMENDED
MOUNTING HOLE
(建議安裝孔)

NOTES: FINISH (PLATING THICKNESS IN MICRO-INCHES)

1. BRASS PER QQ-B-626
2. NICKEL PL 70 MIN THICK OVER COPPER STRIKE
3. GOLD PL 3 MIN OVER NICKEL PL 70 MIN THICK OVER COPPER STRIKE
4. PHOSPHOR BRONZE PER QQ-B-750

1. MAX. PANEL THICKNESS=5.2mm
(最大板厚)

NUT					NOTE 1		NOTE 2		DIMENSIONS ARE IN MILLIMETERS		PART NO.	
WASHER					SS41		NOTE 2		UNLESS OTHERWISE SPECIFIED TOLERANCES (一般公差)		APPROVED DATE	
LOCK RING					NOTE 1		NOTE 2		0.5~6 = ±0.2		06/27/07'	
CONTACT PIN					NOTE 4		NOTE 3		>6~30 = ±0.4		CHECKED DATE	
INSULATOR					DELTRIN		WHITE		>30~120 = ±0.6		06/27/07'	
MAIN BODY					DELTRIN		WHITE		>120~315 = ±1		DRAWN DATE	
					NOTE 1		NOTE 2		>315~1000 = ±1.6		06/27/07'	
NO. DESCRIPTION					MATERIAL		FINISH		Q'TY		DRAWING NO.	
											SCALE 3/1	
											ISSUE A2	
											APPROVED DATE	
											06/27/07'	
											DRAWN DATE	
											06/27/07'	

TITLE		DRAWING NO.	
BNC ISOLATED BULKHEAD JACK TO JACK ADAPTOR		7078YS500CF001B	
FILE NO. Z:\NND\7078\YS\500\001\7078YS500CF001B-A2			