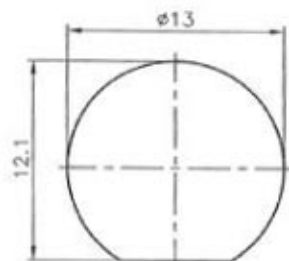
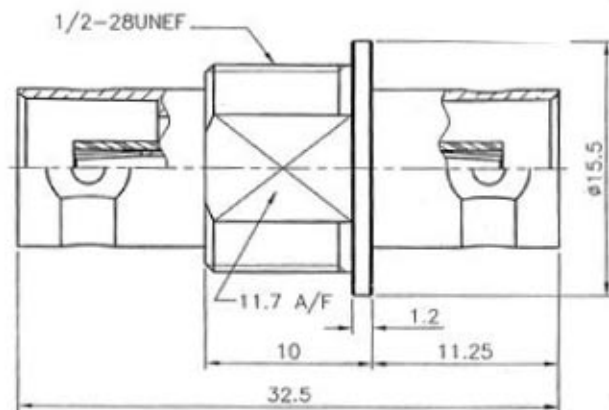
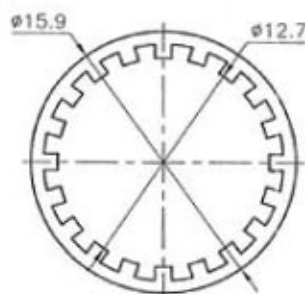
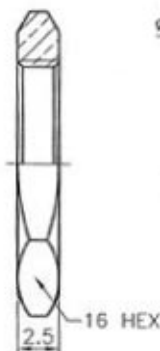


ISS	SYMBOL	REVISIONS	DESCRIPTION\DATE
A1		訂正型號	\03/30/07'
A2		更換零件 2	訂正 NUT 的厚度 \06/27/07'
A3		新增	REMARK 1 \03/13/08'

- REMARK: 1. MAIN BODY'S BODY AND INSULATOR MUST WITHSTAND 50 KG AXIAL, AND 20 KGF-CM RADIAL FORCE (主體和絕緣最大能承受 50 公斤的軸向力和 20 公斤-公分的扭力)
2. RoHS COMPLIANT (符合 RoHS)



RECOMMENDED
MOUNTING HOLE
(建議安裝孔)



NOTES: FINISH (PLATING THICKNESS IN MICRO-INCHES)

- BRASS PER QQ-B-626
- NICKEL PL 70 MIN THICK OVER COPPER STRIKE
- GOLD PL 3 MIN OVER NICKEL PL 70 MIN THICK OVER COPPER STRIKE
- PHOSPHOR BRONZE PER QQ-B-750

1. MAX. PANEL THICKNESS=5.2mm
(最大板厚)

NUT	NOTE 1	NOTE 2		DIMENSIONS ARE IN MILLIMETERS		PART NO.	
WASHER	SS41	NOTE 2		UNLESS OTHERWISE SPECIFIED TOLERANCES (一般公差)		APPROVED	
LOCK RING	NOTE 1	NOTE 2		0.5-6 = ±0.2		DATE	
CONTACT PIN	NOTE 4	NOTE 3		>6-30 = ±0.4		03/13/08'	
INSULATOR	DELTRIN	WHITE		>30-120 = ±0.6		CHECKED	
MAIN BODY	DELTRIN	WHITE		>120-315 = ±1		DATE	
	NOTE 1	NOTE 2		>315-1000 = ±1.6		03/13/08'	
				ANGLES(角度) = ±5'		DRAWN	
NO.	DESCRIPTION	MATERIAL	FINISH	Q'TY	DRAWING NO.	SCALE	DATE
						3/1	ISSUE
						A3	03/13/08'

TITLE	DRAWING NO.	FILE NO.
BNC ISOLATED BULKHEAD JACK TO JACK ADAPTOR (75 ohms)	7078YS700CF001B	Z:\HND\7078\Y3\700\001\7078YS700CF001B-A3