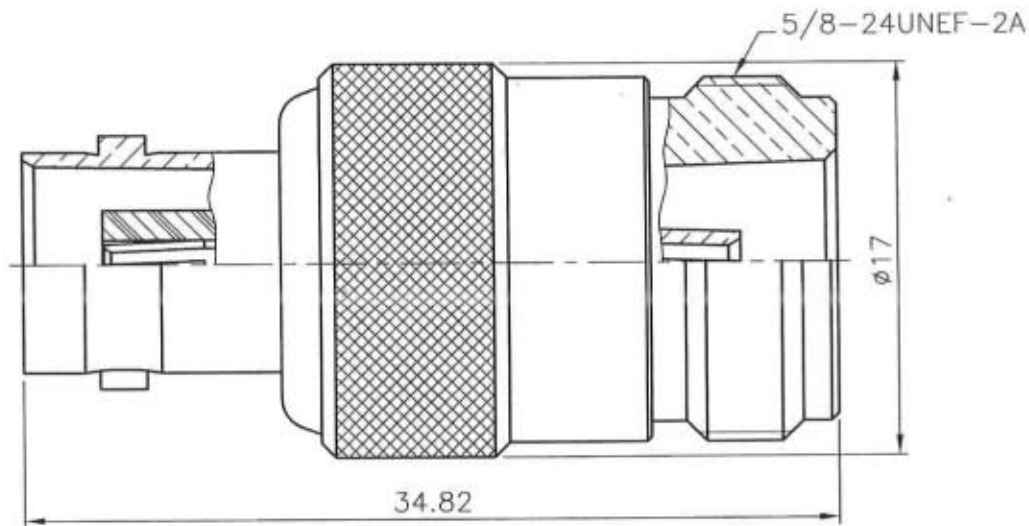


REVISIONS

ISS	SYMBOL	DESCRIPTION\DATE

FOR CUSTOMER

REMARK: RoHS COMPLIANT
(符合 RoHS)



NOTES: FINISH (PLATING THICKNESS IN MICRO-INCHES)

1. BRASS PER QQ-B-626
2. NICKEL PL 70 MIN THICK OVER COPPER STRIKE
3. GOLD PL 3 MIN OVER NICKEL PL 70 MIN THICK OVER COPPER STRIKE
4. TEFLON MIL-P-19468
5. PHOSPHOR BRONZE PER QQ-B-750

					DIMENSIONS ARE IN MILLIMETERS				PART NO.		TITLE BNC JACK TO N JACK ADAPTOR
					UNLESS OTHERWISE SPECIFIED TOLERANCES (一般公差)				APPROVED	DATE	
BODY	NOTE 1	NOTE 2			0.5~6 = ±0.2				<i>[Signature]</i>	10/16/06'	
CONTACT PIN	NOTE 5	NOTE 3			>6~30 = ±0.4			CHECKED	<i>[Signature]</i>	10/16/06'	
INSULATOR	NOTE 4	WHITE			>30~120 = ±0.6			DRAWN	<i>[Signature]</i>	10/16/06'	
BODY	NOTE 1	NOTE 2			>120~315 = ±1						
					>315~1000 = ±1.6						
					ANGLES(角度) = ±5'						
NO.	DESCRIPTION	MATERIAL	FINISH	Q'TY	DRAWING NO.	SCALE	3/1	ISSUE	A1		FILE NO. Z:\NND\70J\73J\NS5\000\BFB-A1