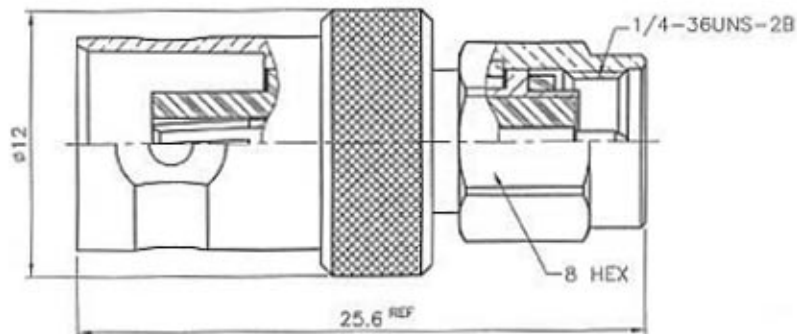


REVISIONS		
ISS	SYMBOL	DESCRIPTION\DATE
A1		由R7820-BNTG 更改料号 \03/28/07'
A2		取消 BOM \04/08/08'
A3		增加 BODY,C RING,SHELL \07/25/11'



NOTES: FINISH (PLATING THICKNESS IN MICRO-INCHES)

- BRASS PER QQ-B-626
- NICKEL PL 70 MIN THICK OVER COPPER STRIKE
- GOLD PL 3 MIN OVER NICKEL PL 70 MIN THICK OVER COPPER STRIKE
- TEFLON MIL-P-19468
- PASSMATED
- PHOSPHOR BRONZE PER QQ-B-750

RoHS COMPLIANT

					DIMENSIONS ARE IN MILLIMETERS		PART NO.		
SHELL	NOTE 1	NOTE 2			UNLESS OTHERWISE SPECIFIED TOLERANCES (-BNC) 0.5-6 = ±0.2 >6-30 = ±0.4 >30-120 = ±0.6 >120-315 = ±1 >315-1000 = ±1.6 ANGLES(角) = ±5°	APPROVED	DATE	TITLE BNC JACK TO SMA PLUG ADAPTOR	
GASKET	SILICONE	RED				<i>Jay</i>	07/25/11'		
C RING	SUS 304	NOTE 5				CHECKED	DATE		
CONTACT PIN	NOTE 6	NOTE 3				<i>Jay</i>	07/25/11'	DRAWING NO. 70J78PNS58F001B	
INSULATOR	NOTE 4	WHITE				DRAWN	DATE	FILE NO. Z:\NND\70J\78P\NS5\001\70J78PNS58F001B-A3	
BODY	NOTE 1	NOTE 2				<i>Adm</i>	07/25/11'		
NO.	DESCRIPTION	MATERIAL	FINISH	QTY	DRAWING NO.	SCALE	4/1	ISSUE	A3