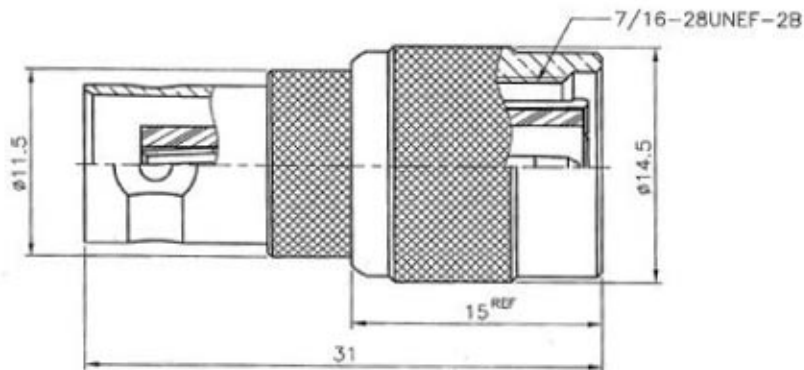


REVISIONS

SS	SYMBOL	DESCRIPTION	DATE

REMARK: RoHS COMPLIANT
(符合 RoHS)

FOR CUSTOMER



NOTES: FINISH (PLATING THICKNESS IN MICRO-INCHES)

1. BRASS PER QQ-B-626
2. NICKEL PL 70 MIN THICK OVER COPPER STRIKE
3. GOLD PL 3 MIN OVER NICKEL PL 70 MIN THICK OVER COPPER STRIKE
4. TEFLON MIL-P-19468
5. PHOSPHOR BRONZE PER QQ-B-750

NO.	DESCRIPTION	MATERIAL	FINISH	Q'TY	DRAWING NO.
	SHELL	NOTE 1	NOTE 2		
	GASKET	SILICONE	RED		
	C RING	SS41	NOTE 2		
	WASHER	DELTRIN	NATURAL		
	WASHER	SS41	NOTE 2		
	INSULATOR	NOTE 4	WHITE		
	CONTACT PIN	NOTE 5	NOTE 3		
	INSULATOR	NOTE 4	WHITE		
	BODY	NOTE 1	NOTE 2		

DIMENSIONS ARE IN MILLIMETERS

UNLESS OTHERWISE SPECIFIED
TOLERANCES

(一般公差)

0.5-3 = ±0.2

3-30 = ±0.4

>30-120 = ±0.6

>120-315 = ±1

>315-1000 = ±1.6

ANGLES(角度) = 85°

PART NO.

APPROVED DATE

06/11/09

CHECKED DATE

06/11/09

DRAWN DATE

06/11/09

TITLE

BNC JACK TO TNC PLUG ADAPTOR

DRAWING NO.

70J74PNS5BF000B

FILE NO. Z:\NND\70J74P\NSS\000\70J74PNS5BF000B-A1