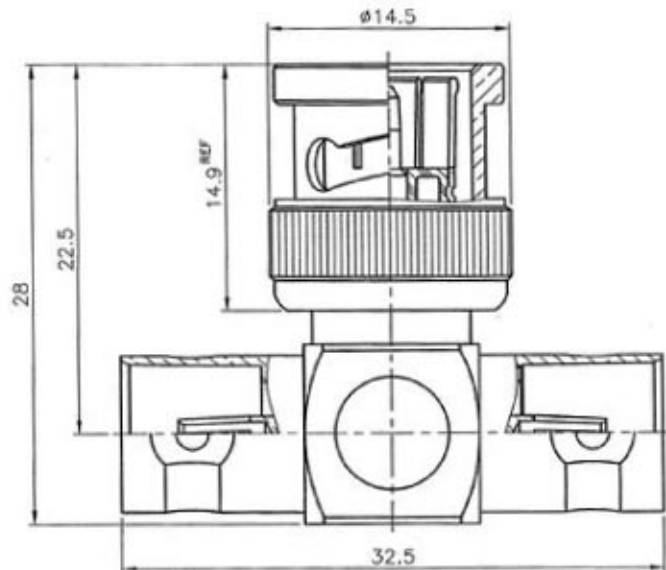


| ISS | SYMBOL | REVISIONS | DESCRIPTION/DATE |
|-----|--------|------------------------------------|------------------|
| A1 | | 由BJ-7077-888NDG002-R 變更轉來\08/02/07 | |

REMARK: RoHS COMPLIANT
(符合 RoHS)



NOTES: FINISH (PLATING THICKNESS IN MICRO-INCHES)
1. BRASS PER QQ-B-626
2. NICKEL PL 70 MIN THICK OVER COPPER STRIKE
3. GOLD PL 3 MIN OVER NICKEL PL 70 MIN THICK OVER COPPER STRIKE

| NO. | DESCRIPTION | MATERIAL | FINISH | Q'TY | DRAWING NO. | SCALE | 3/1 | ISSUE | A1 |
|-----|-------------|----------|--------|--------|-------------|-------|-----|-------|----|
| | COVER | | NOTE 1 | NOTE 2 | | | | | |
| | SHELL | | NOTE 1 | NOTE 2 | | | | | |
| | GASKET | SILICONE | | RED | | | | | |
| | C RING | SS41 | | NOTE 2 | | | | | |
| | SPRING | SK5 | | NOTE 2 | | | | | |
| | WASHER | SS41 | | NOTE 2 | | | | | |
| | CONTACT PIN | | NOTE 1 | NOTE 3 | | | | | |
| | INSULATOR | DELIN | | WHITE | | | | | |
| | LOCK RING | | NOTE 1 | NOTE 2 | | | | | |
| | BODY | | NOTE 1 | NOTE 2 | | | | | |
| | CONTACT PIN | | NOTE 1 | NOTE 3 | | | | | |
| | INSULATOR | DELIN | | WHITE | | | | | |
| | BODY | | NOTE 1 | NOTE 2 | | | | | |

REMARK: 在組裝零件 5 時, 先將零件 1 與零件 4 組裝時所產生的毛邊清除

DIMENSIONS ARE IN MILLIMETERS
UNLESS OTHERWISE SPECIFIED
TOLERANCES
(—公差)

| | |
|------------|--------|
| 0.5-6 | = ±0.2 |
| >6-30 | = ±0.4 |
| >30-120 | = ±0.6 |
| >120-315 | = ±1 |
| >315-1000 | = ±1.6 |
| ANGLES(角度) | = ±5' |

| PART NO. | |
|-------------|----------|
| APPROVED | DATE |
| <i>Axel</i> | 08/02/07 |
| CHECKED | DATE |
| <i>Axel</i> | 08/02/07 |
| DRAWN | DATE |
| <i>Axel</i> | 08/02/07 |

TITLE
BNC T-ANGLE JACK-PLUG-JACK
ADAPTOR (75 ohms)

DRAWING NO. 7098NT700CF001B

FILE NO. Z:\IND\7098\MT\700\001\7098NT700CF001B-A1