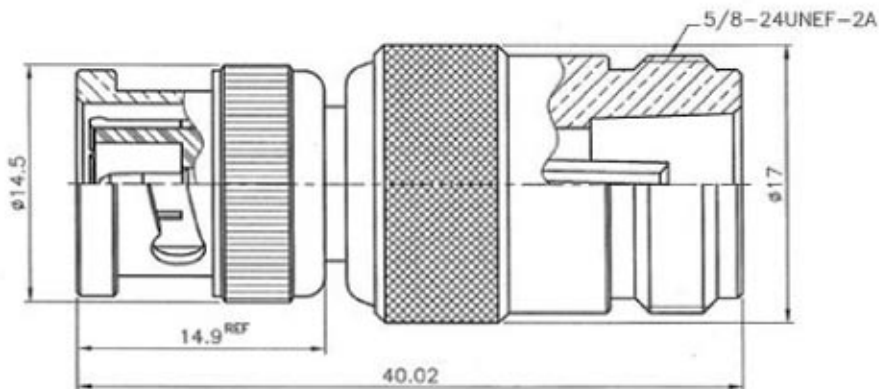


REVISIONS

ISS	SYMBOL	DESCRIPTION\DATE
A1		由BJ-8814-88BNTG006-R 圖號轉來\10/13/06

REMARK: RoHS COMPLIANT
(符合 RoHS)

FOR CUSTOMER



NOTES: FINISH (PLATING THICKNESS IN MICRO-INCHES)

- BRASS PER QQ-B-626
- NICKEL PL 70 MIN THICK OVER COPPER STRIKE
- GOLD PL 3 MIN OVER NICKEL PL 70 MIN THICK OVER COPPER STRIKE
- TEFLON ML-P-19468
- PHOSPHOR BRONZE PER QQ-B-750

	SHELL	NOTE 1	NOTE 2		
	GASKET	SILICONE	RED		
	C RING	SS41	NOTE 2		
	SPRING	SK5	NOTE 2		
	WASHER	SS41	NOTE 2		
	BODY	NOTE 1	NOTE 2		
	CONTACT PIN	NOTE 5	NOTE 3		
	INSULATOR	NOTE 4	WHITE		
	BODY	NOTE 1	NOTE 2		
NO.	DESCRIPTION	MATERIAL	FINISH	Q'TY	DRAWING NO.

DIMENSIONS ARE IN MILLIMETERS
UNLESS OTHERWISE SPECIFIED
TOLERANCES
(一般公差)
0.5-6 = ±0.2
>6-30 = ±0.4
>30-120 = ±0.6
>120-315 = ±1
>315-1000 = ±1.6
ANGLES(角度) = ±5°

PART NO.	
APPROVED	DATE
CHECKED	DATE
DRAWN	DATE

TITLE

BNC PLUG TO N JACK ADAPTOR

DRAWING NO.

70P73JNS5BF000B

FILE NO.

Z:\MNO\70P73\JNS5000\70P73JNS5BF000B-A1