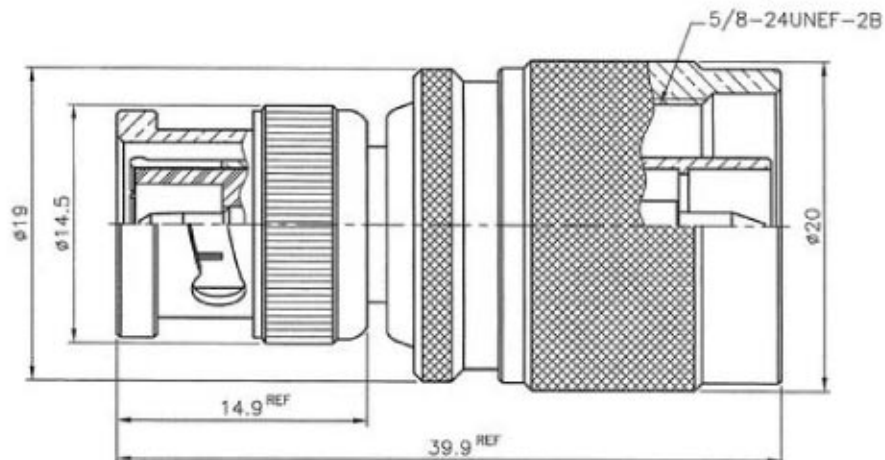


REVISIONS	
ISS	SYMBOL DESCRIPTION/DATE
A2	訂正 C RING 材質為 BRASS JIS H 3250, C 2700 01/19/09'

REMARK: RoHS COMPLIANT
(符合 RoHS)



NOTES: FINISH (PLATING THICKNESS IN MICRO-INCHES)

1. BRASS PER QQ-B-626
2. NICKEL PL 70 MIN THICK OVER COPPER STRIKE
3. GOLD PL 3 MIN OVER NICKEL PL 70 MIN THICK OVER COPPER STRIKE
4. TEFLON MIL-P-19468
5. BRASS JIS H 3250, C 2700

SHELL	NOTE 1	NOTE 2			
GASKET	SILICONE	RED			
C RING	SS41	NOTE 2			
SPRING	SK5	NOTE 2			
WASHER	SS41	NOTE 2			
SHELL	NOTE 1	NOTE 2			
GASKET	SILICONE	ORANGE			
C RING	NOTE 5	NOTE 2			
BODY	NOTE 1	NOTE 2			
CONTACT PIN	NOTE 1	NOTE 3			
INSULATOR	NOTE 4	WHITE			
BODY	NOTE 1	NOTE 2			
NO.	DESCRIPTION	MATERIAL	FINISH	QTY	DRAWING NO.

DIMENSIONS ARE IN MILLIMETERS

UNLESS OTHERWISE SPECIFIED
TOLERANCES

(一般公差)
0.5~6 = ±0.2
>6~30 = ±0.4
>30~120 = ±0.6
>120~315 = ±1
>315~1000 = ±1.6
ANGLES(角度) = ±5'

PART NO.

APPROVED *[Signature]* DATE 01/19/09'

CHECKED *[Signature]* DATE 01/19/09'

DRAWN *[Signature]* DATE 01/19/09'

TITLE

BNC PLUG TO N PLUG ADAPTOR

DRAWING NO.

70P73PNS58F000B

FILE NO. Z:\NND\70P\73P\NS5\000\70P73PNS58F000B-A2