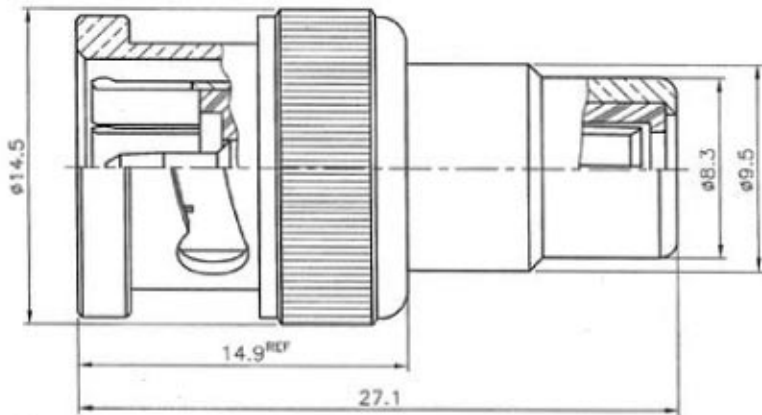


REVISIONS

ISS	SYMBOL	DESCRIPTION\DATE
A1		由R7056-BND001 型式轉來\12/01/08'

REMARK: RoHS COMPLIANT
(符合 RoHS)

FOR CUSTOMER



- NOTES: FINISH (PLATING THICKNESS IN MICRO-INCHES)
1. BRASS PER QQ-B-626
2. NICKEL PL 70 MIN THICK OVER COPPER STRIKE

NO.	DESCRIPTION	MATERIAL	FINISH	Q'TY	DRAWING NO.
	SHELL	NOTE 1	NOTE 2		
	GASKET	SILICONE	RED		
	WASHER	SS41	NOTE 2		
	SPRING	SK5	NOTE 2		
	WASHER	SS41	NOTE 2		
	INSULATOR	DELKIN	WHITE		
	CONTACT PIN	NOTE 1	NOTE 2		
	INSULATOR	DELKIN	WHITE		
	BODY	NOTE 1	NOTE 2		

DIMENSIONS ARE IN MILLIMETERS

UNLESS OTHERWISE SPECIFIED TOLERANCES

(一般公差)

0.5~6 = ±0.2

>6~30 = ±0.4

>30~120 = ±0.6

>120~315 = ±1

>315~1000 = ±1.6

ANGLES(角度) = ±5'

PART NO.

APPROVED DATE

12/01/08'

CHECKED DATE

12/01/08'

DRAWN DATE

12/01/08'

TITLE

BNC PLUG TO RCA JACK ADAPTOR
(75 ohms)

DRAWING NO.

70P77JNS7CG001B

FILE NO. Z:\BND\70P\77J\NS7\001\70P77JNS7CG001B-A1