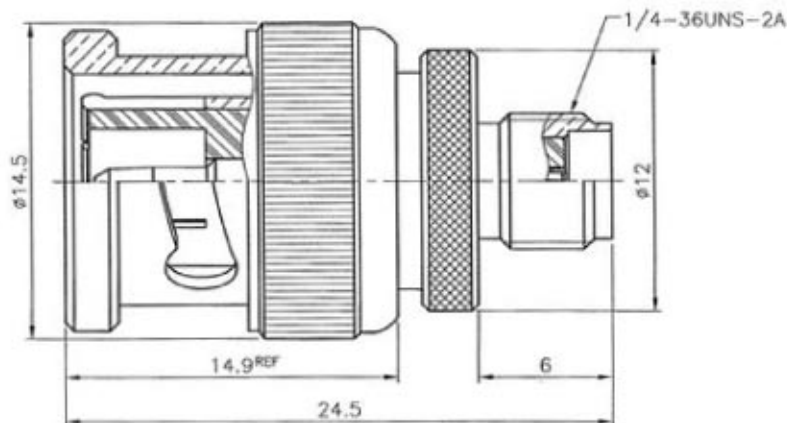


REVISIONS

| ISS | SYMBOL | DESCRIPTION/DATE |
|-----|--------|-------------------------------------|
| A1 | | 由R7829-BNTG 型式轉來, 改善對外面面 \ 10/25/07 |
| A2 | | 補填 INSULATOR 之剖面線 \ 02/23/10' |

REMARK: RoHS COMPLIANT
(符合 RoHS)

FOR CUSTOMER



NOTES: FINISH (PLATING THICKNESS IN MICRO-INCHES)

- BRASS PER QQ-B-626
- NICKEL PL 70 MIN THICK OVER COPPER STRIKE
- GOLD PL 3 MIN OVER NICKEL PL 70 MIN THICK OVER COPPER STRIKE
- TEFLON MIL-P-19468
- PHOSPHOR BRONZE PER QQ-B-750

| NO. | DESCRIPTION | MATERIAL | FINISH | Q'TY | DRAWING NO. | SCALE | 4/1 | ISSUE | A2 |
|-----|-------------|----------|----------|--------|-------------|-------|-----|-------|----|
| | SHELL | | NOTE 1 | NOTE 2 | | | | | |
| | GASKET | | SILICONE | RED | | | | | |
| | C RING | | SS41 | NOTE 2 | | | | | |
| | SPRING | | SK5 | NOTE 2 | | | | | |
| | WASHER | | SS41 | NOTE 2 | | | | | |
| | CONTACT PIN | | NOTE 5 | NOTE 3 | | | | | |
| | INSULATOR | | NOTE 4 | WHITE | | | | | |
| | BODY | | NOTE 1 | NOTE 2 | | | | | |

DIMENSIONS ARE IN MILLIMETERS

UNLESS OTHERWISE SPECIFIED

TOLERANCES

(- 公差)

0.5-6 = ±0.2

>6-30 = ±0.4

>30-120 = ±0.6

>120-315 = ±1

>315-1000 = ±1.6

ANGLES(度) = ±5'

PART NO.

APPROVED DATE

CHECKED DATE

DRAWN DATE

TITLE

BNC PLUG TO SMA JACK ADAPTOR

DRAWING NO.

70P78JNS5BF001B

FILE NO. Z:\N0\78P\78J\N55\001\70P78JNS5BF001B-A2