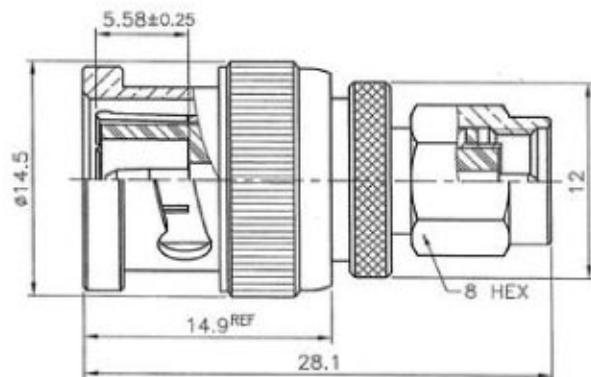


REMARK: RoHS COMPLIANT  
(符合 RoHS)

## REVISIONS

ISS	SYMBOL	DESCRIPTION\DATE
A1		由R7819-BNTG 更改\11/07/08'



## NOTES: FINISH (PLATING THICKNESS IN MICRO-INCHES)

- BRASS PER QQ-B-626
- NICKEL PL 70 MIN THICK OVER COPPER STRIKE
- GOLD PL 3 MIN OVER NICKEL PL 70 MIN THICK OVER COPPER STRIKE
- TEFLON MIL-P-19468
- BERYLLIUM COPPER PER QQ-C-530

SHELL	NOTE 1	NOTE 2		
GASKET	SILICONE	RED		
C RING	NOTE 5	NONE		
SHELL	NOTE 1	NOTE 2		
GASKET	SILICONE	RED		
C RING	SS41	NOTE 2		
SPRING	SK5	NOTE 2		
WASHER	SS41	NOTE 2		
CONTACT PIN	NOTE 1	NOTE 3		
INSULATOR	NOTE 4	WHITE		
BODY	NOTE 1	NOTE 2		

DIMENSIONS ARE IN MILLIMETERS  
UNLESS OTHERWISE SPECIFIED  
TOLERANCES  
(一般公差)  
0.5-6 = ±0.2  
>6-30 = ±0.4  
>30-120 = ±0.6  
>120-315 = ±1  
>315-1000 = ±1.6  
ANGLES(角度) = ±0°

PART NO.	
APPROVED	DATE
<i>[Signature]</i>	11/07/08'
CHECKED	DATE
<i>[Signature]</i>	11/07/08'
DRAWN	DATE
<i>[Signature]</i>	11/07/08'

TITLE  
BNC PLUG TO SMA PLUG ADAPTOR

DRAWING NO. 70P78PNS58F002B

FILE NO. Z:\IND\70P\78P\NS5\002\70P78PNS58F002B-A1