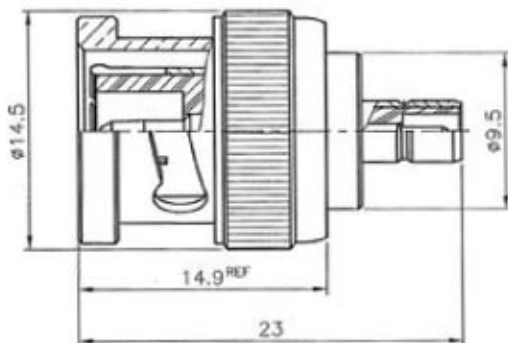


REVISIONS

ISS	SYMBOL	DESCRIPTION\DATE
A1		由BJ-8863-88BNTG002-R 型式轉交\06/25/07'

 REMARK: RoHS COMPLIANT
(符合 RoHS)

FOR CUSTOMER



NOTES: FINISH (PLATING THICKNESS IN MICRO-INCHES)

- BRASS PER QQ-B-626
- NICKEL PL 70 MIN THICK OVER COPPER STRIKE
- GOLD PL 3 MIN OVER NICKEL PL. 70 MIN THICK OVER COPPER STRIKE
- TEFLON MIL-P-19468

NO.	DESCRIPTION	MATERIAL	FINISH	Q'TY	DRAWING NO.	SCALE	3/1	ISSUE	A1
	SHELL		NOTE 1	NOTE 2					
	GASKET		SILICONE	RED					
	C RING		SS41	NOTE 2					
	SPRING		SK5	NOTE 2					
	WASHER		SS41	NOTE 2					
	CONTACT PIN		NOTE 1	NOTE 3					
	INSULATOR		NOTE 4	WHITE					
	INSULATOR		NOTE 4	WHITE					
	BODY		NOTE 1	NOTE 2					

DIMENSIONS ARE IN MILLIMETERS

UNLESS OTHERWISE SPECIFIED
TOLERANCES

(一般公差)

0.3-6 = ±0.2

>6-30 = ±0.4

>30-120 = ±0.6

>120-315 = ±1

>315-1000 = ±1.6

ANGLES(角度) = 45°

PART NO.

APPROVED DATE

Auk 06/25/07'

CHECKED DATE

Auk 06/25/07'

DRAWN DATE

Auk 06/25/07'

TITLE

BNC PLUG TO SMB JACK ADAPTOR

DRAWING NO.

70P91JNS5BF001B

FILE NO.

Z:\IND\70P\91J\NSS\001\70P91JNS5BF001B-A1